



# DF100A/DF115A/DF140A

## *OWNER'S MANUAL*

Keep with boat at all times.

This owner's manual contains important information on safety, operation and maintenance.

## *MANUEL DU PROPRIÉTAIRE*

Conserver ce manuel en permanence dans le bateau. Ce manuel du propriétaire contient d'importantes informations sur la sécurité, le fonctionnement et l'entretien.

Part No. 99011-90J30-03B  
July, 2012 Eng. Fre. (TK)

# **INDEX**

**ENGLISH**

**FRANÇAIS**

**WIRING DIAGRAM  
SCHEMA DE CABLAGE**

**DF100A**

**EN**

**DF115A**

**DF140A**

**OWNER'S MANUAL**

# IMPORTANT

## ▲ WARNING/ ▲ CAUTION/ NOTICE/ NOTE

Please read this manual and follow its instructions carefully. To emphasize special information, the symbol ▲ and the words **WARNING**, **CAUTION**, **NOTICE** and **NOTE** have special meanings. Pay special attention to the messages highlighted by these signal words.

### ▲ WARNING

Indicates a potential hazard that could result in death or serious injury.

### ▲ CAUTION

Indicates a potential hazard that could result in minor or moderate injury.

### NOTICE

Indicates a potential hazard that could result in damage to the motor or boat.

#### NOTE:

*Indicates special instructions to make maintenance easier or instructions clearer.*

## BREAK-IN INFORMATION FOR YOUR OUTBOARD MOTOR

The first 10 hours are the most important in the life of your engine. Proper operation during this break-in period is essential to help ensure maximum life and performance.

Refer to the BREAK-IN section of this manual for specific break-in recommendations.

## IMPORTANT NOTICE TO OWNERS

### ▲ WARNING

Failure to take the proper precautions may increase the risk of death or severe injury to you and your passengers.

- Prior to first-time use of your outboard motor, familiarize yourself thoroughly with the contents of this owner's manual. Be aware of all outboard motor features and all safety and maintenance requirements.

- Inspect the boat and motor before each trip. See the INSPECTION BEFORE BOATING section for important items.
- Become thoroughly familiar with all operating and handling characteristics of your boat and motor. Practice at low and moderate speeds until you are competent at handling the boat and motor. Do not attempt to operate at maximum performance until you are completely familiar with all of these characteristics.
- Carry boating safety and emergency equipment. This important equipment includes; flotation aids for each person (plus one throwable buoyant cushion in any boat 16 feet or longer), fire extinguisher, sound signaling device, visual distress signals, anchor, bilge pump, bucket, compass, emergency starter rope, extra fuel and oil, first aid kit, flashlight, food and water, mirror, paddles, tool kit, and transistor radio. Be sure you are carrying the equipment appropriate for your trip before launching.
- Never start the engine or let it run indoors or where there is little or no ventilation. Exhaust gas contains carbon monoxide, a gas that is colorless and odorless and can cause death or severe injury.
- Instruct your passengers on how to operate the boat, how to deal with emergencies, and how to operate safety and emergency equipment.
- Do not hold onto the motor cover or any other parts of your outboard motor while getting on or off your boat.
- Ensure that everyone wears a life jacket on board.
- Never operate the boat while under the influence of alcohol or other drugs.
- Distribute all weight load evenly in the boat.
- Have all scheduled maintenance performed. Consult your authorized Suzuki marine dealer as required.

## FOREWORD

- Do not modify or remove any outboard motor standard equipment. To do so may make the motor unsafe to use.
- Learn and obey all applicable navigation rules.
- Pay attention to all weather forecasts. Do not set out if weather is unsettled.
- Use extreme caution when purchasing replacement parts or accessories. Suzuki strongly recommends that you use only genuine Suzuki replacement parts/accessories or their equivalent. Inappropriate or poor quality replacement parts or accessories can create unsafe operating conditions.

### NOTE:

*Mounting radio transceiver or navigational equipment antennae too close to the engine cowling can cause electrical noise interference. Suzuki recommends that antennae be mounted at least one meter (40 inches) away from the engine cowling.*

**This manual should be considered a permanent part of the outboard motor and should remain with the outboard motor when resold or otherwise transferred to a new owner or operator. Please read this manual carefully before operating your new Suzuki and review the manual from time to time. It contains important information on safety, operation, and maintenance.**

The proper care and maintenance that your outboard motor requires is outlined in this manual. By following these instructions explicitly you will ensure a long trouble-free operating life for your outboard motor. This outboard motor also conforms to the U.S. Environmental Protection Agency emission regulations which apply to new outboard motors. The proper adjustment of engine components is necessary for this outboard motor to comply with the EPA regulations. Therefore, please follow the maintenance instructions closely to ensure emission compliance. Your Suzuki dealer has experienced technicians that are trained to provide your outboard motor with the best possible service with the right tools and equipment.

All information in this manual is based on the latest product information available at the time of publication. Due to improvements or other changes, there may be discrepancies between this manual and your outboard motor. Suzuki reserves the right to make production changes at any time, without notice and without incurring any obligation to make the same or similar changes to outboard motor previously built or sold.

## PLEASE PRESERVE NATURE

Protect and preserve your boating waters and their land access. Never pollute the water or land with oil, gas, or other harmful products. For example, make sure you dispose of used gear oil properly following a gear oil change. Also remember not to litter. With a little bit of effort, our boating waters can be enjoyed for many years to come.

Suzuki Motor Corporation believes in conservation and protection of Earth's natural resources.

To that end, we encourage every outboard motor owner to recycle, trade in, or properly dispose of, as appropriate, used oil and batteries.

## TAKE A BOATING SAFETY CLASS

An educated boater will enjoy boating more and will be a safer boater. We recommend that you take a boating safety class.

Classes explaining required and recommended equipment for small boats and offering training in good seamanship are conducted by the U.S. Coast Guard Auxiliary, the U.S. Power Squadron, and many Red Cross chapters. For information on classes in your area, call toll-free 1-800-336-BOAT (2628).

Your state's department of boating and your Suzuki Marine dealer can supply you with additional information on boating safety and regulations, or you can call the U.S. Coast Guard Boating Safety Hotline toll-free at 1-800-368-5647.

## California Proposition 65 Warning

### **WARNING**

**Engine exhaust, some of its constituents, and certain product components contain or emit chemicals known to the State of California to cause cancer and birth defects or other reproductive harm.**

# TABLE OF CONTENTS

FUEL AND OIL.....	6
GASOLINE .....	6
FILLING THE FUEL TANK .....	7
ENGINE OIL .....	8
GEAR OIL .....	8
LOCATION OF SAFETY LABELS .....	9
LOCATION OF PARTS.....	11
MOTOR INSTALLATION .....	12
BATTERY INSTALLATION .....	12
BATTERY REQUIREMENT .....	12
BATTERY INSTALLATION .....	13
USE OF ELECTRICAL ACCESSORIES.....	14
PROPELLER SELECTION AND INSTALLATION.....	14
PROPELLER SELECTION .....	14
PROPELLER INSTALLATION .....	15
ADJUSTMENTS.....	16
TRIM ANGLE ADJUSTMENT .....	16
TRIM TAB ADJUSTMENT .....	17
THROTTLE TENSION ADJUSTMENT .....	18
IDLE SPEED ADJUSTMENT .....	18
SETTING OF TILT UPPER LIMIT POSITION.....	18
MOTOR COVER FASTENING ADJUSTMENT .....	20
CAUTION SYSTEM.....	20
INDICATOR CHECK .....	20
OVER-REVOLUTION CAUTION SYSTEM.....	21
OIL PRESSURE CAUTION SYSTEM.....	22
COOLING WATER CAUTION SYSTEM .....	22
BATTERY VOLTAGE CAUTION SYSTEM.....	24
DIAGNOSTIC SYSTEM.....	24
OIL CHANGE REMINDER SYSTEM.....	25
SYSTEM ACTIVATION .....	25
CANCELLATION .....	25
ENGINE STALLING CAUTION SYSTEM.....	26
WATER IN FUEL ALERT SYSTEM.....	26
OPERATION OF TILTING SYSTEMS.....	26
POWER TRIM AND TILT .....	26
MANUAL TILTING .....	27
TILT LEVER .....	27

INSPECTION BEFORE BOATING ...	28
BREAK-IN .....	30
OPERATION .....	31
BEFORE ATTEMPTING TO START THE ENGINE.....	31
STARTING THE ENGINE .....	33
SHIFTING AND SPEED CONTROL ...	35
STOPPING THE ENGINE .....	36
MOORING .....	37
OPERATION IN SHALLOW WATER ...	37
OPERATING THE TROLL MODE .....	37
OPERATION IN SALT WATER .....	38
OPERATION IN FREEZING WEATHER.....	38
MOTOR REMOVAL AND TRANSPORTING .....	39
MOTOR REMOVAL .....	39
MOTOR TRANSPORTING.....	39
TRAILERING .....	41
INSPECTION AND MAINTENANCE.....	42
MAINTENANCE SCHEDULE .....	42
SPARK PLUG .....	44
BREATHER AND FUEL LINE .....	45
ENGINE OIL .....	46
GEAR OIL .....	47
LOW PRESSURE FUEL FILTER.....	48
LUBRICATION .....	50
CORROSION PREVENTION .....	50
ANODES.....	50
BONDING WIRES .....	51
BATTERY.....	52
ENGINE OIL FILTER .....	52
FLUSHING THE WATER PASSAGES.....	53
SUBMERGED MOTOR.....	55
STORAGE PROCEDURE .....	56
MOTOR STORAGE.....	56
BATTERY STORAGE.....	57
AFTER STORAGE .....	57
GENERAL INFORMATION.....	57
WARRANTIES (For U.S.A).....	57
IDENTIFICATION NUMBER LOCATION .....	58
EMISSION CONTROL INFORMATION.....	58
TROUBLESHOOTING .....	59
SPECIFICATIONS .....	61
CHART OF TOTAL OPERATING HOURS INDICATION .....	61
FLOWCHART OF OIL CHANGE REMINDER SYSTEM.....	62

# FUEL AND OIL

## GASOLINE

Suzuki highly recommends that you use alcohol-free unleaded gasoline whenever possible, with a minimum pump octane rating of 87 ((R+M)/2 method). In some areas, the only fuels that are available are oxygenated fuels. Oxygenated fuels which meet the minimum octane requirement and the requirements described below may be used in your outboard motor without jeopardizing the New Outboard Motor Limited Warranty.

### NOTICE

**Use of leaded gasoline can cause engine damage. Use of improper or poor quality fuel can affect performance and may damage your motor and fuel system.**

**Use only unleaded gasoline. Do not use fuel having lower than the recommended octane, or fuel that may be stale or contaminated by dirt/water etc.**

#### NOTE:

*Oxygenated fuels are fuels which contain oxygen-carrying additives such as MTBE or alcohol.*

Suzuki recommends that you install a water-separating fuel filter assembly between your boat's fuel tank(s) and outboard motor(s). Fuel filtration systems of this type will help prevent water that may be present in your boat's fuel tank(s) from contaminating your motor's electronic fuel injection system. Water contamination can cause poor engine performance and can also cause damage to the electronic fuel injection system components.

Your Authorized Suzuki Marine Dealer can provide you advice about water-separating fuel filter systems and installation.

## Gasoline Containing MTBE

Unleaded gasoline containing MTBE (Methyl Tertiary Butyl Ether) may be used in your outboard motor if the MTBE content is not greater than 15%. This oxygenated fuel does not contain alcohol.

## Gasoline/Ethanol Blends

Blends of unleaded gasoline and ethanol (grain alcohol), also known as gasohol, may be used in your outboard motor if the ethanol content is not greater than 10%.

## Gasoline/Methanol Blends

Avoid using blends of unleaded gasoline and methanol (wood alcohol) whenever possible. DO NOT USE fuels containing more than 5% methanol under any circumstances. Fuel system damage or outboard motor performance problems resulting from the use of such fuels are not the responsibility of Suzuki and may not be covered under the New Outboard Motor Limited Warranty.

Fuel containing 5% or less methanol may be suitable for use in your outboard motor if they contain cosolvents and corrosion inhibitors.

## Fuel Pump Labeling

In some states, pumps that dispense oxygenated fuels are required to be labeled for the type and percentage of oxygenate, and whether important additives are present. Such labels may provide enough information for you to determine if a particular blend of fuel meets the requirements listed above. In other states, pumps may not be clearly labeled as to the content or type of oxygenate and additives. If you are not sure that the fuel you intend to use meets these requirements, check with the service station operator or the fuel suppliers.

#### NOTE:

- *Be sure that any oxygenated fuel blend you use has octane ratings of at least 87 pump octane ((R+M)/2 method).*
- *If you are not satisfied with the driveability or fuel economy of your outboard motor when you are using a gasoline/alcohol blend, you should switch back to unleaded gasoline containing no alcohol.*



- If engine pinging is experienced, substitute another brand, as there are differences between brands.
- Unleaded gasoline will extend spark plug life.

### NOTICE

Gasoline kept in the fuel tank for long periods of time will produce varnish and gum, which can damage the engine.

Always use fresh gasoline.

### FILLING THE FUEL TANK

To fill the fuel tank:

1. Always stop the engine before refilling the tank.
2. Remove the portable fuel tank from the boat to refill it.

### ▲ WARNING

Gasoline is extremely flammable and toxic. It can cause a fire and can be hazardous to people and pets.

Always take the following precautions when refueling:

- Never permit anyone other than an adult to refill the fuel tank.
- If you use a portable fuel tank, always stop the motor and remove the fuel tank from the boat to refill it.
- Do not fill the fuel tank all the way to the top or fuel may overflow when it expands due to heating by the sun.
- Be careful not to spill fuel. If you do, wipe it up immediately.
- Do not smoke, and keep away from open flames and sparks.

### NOTICE

Fuels containing alcohol can cause paint damage, which is not covered under the New Outboard Motor Limited Warranty.

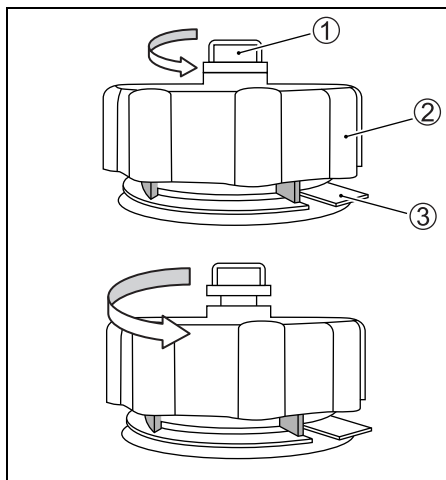
Be careful not to spill fuel containing alcohol while refueling. If fuel is spilled, wipe it up immediately.

3. Turn the air-vent screw ① on top of the fuel tank cap ② fully counterclockwise to open the vent.

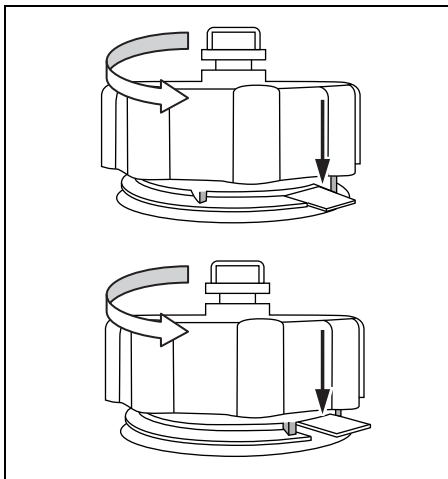
NOTE:

**VENT SCREW** should be **CLOSED** for transportation and **OPEN** for **OPERATION** and **CAP REMOVAL**.

4. Locate the pressure relief tab ③ under the fuel tank cap and turn the cap counterclockwise until the tab engages the first lock.



- Press down on the tab, and release the lock, then rotate the fuel tank cap 1/4 turn. The tab will engage the second lock.
- Press the tab down again and turn to remove the fuel tank cap.



- Carefully refill the fuel tank with gasoline. **Do not over fill.**
- Tighten the fuel tank cap until an audible “click” is heard.
- Tighten the air-vent screw on top of the fuel tank cap.

## ENGINE OIL

### NOTICE

Use of poor quality engine oil can adversely affect engine performance and life.

Suzuki recommends that you use Suzuki Marine 4-Cycle Engine Oil or its equivalent.

Oil quality is a major contributor to your engine’s performance and life. Always select good quality engine oil.

Suzuki recommends the use of SAE 10W-40 SUZUKI MARINE 4-CYCLE ENGINE OIL. If SUZUKI MARINE 4-CYCLE ENGINE OIL is not available, select a NMMA certified FC-W oil or good quality 4-cycle motor oil from the following chart according to the average temperatures in your area.

API Classification	SAE Viscosity Grade							
SG								
SH	10W-40							
SJ								
SL	10W-30							
SM								
TEMP.	°C	-20	-10	0	10	20	30	40
	°F	-4	14	32	50	68	86	104

#### NOTE:

In very cold weather (below 5°C (41°F), use SAE (or NMMA FC-W) 5W-30 for easier starting and smooth operation.

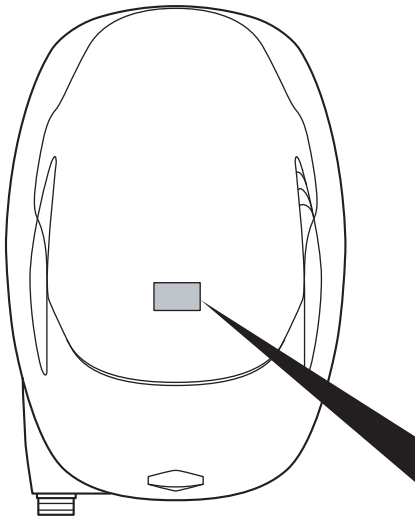
## GEAR OIL



Suzuki recommends the use of SUZUKI HYPOID GEAR OIL. If it is not available, use SAE 90 hypoid gear oil which is rated GL-5 under the API classification system.

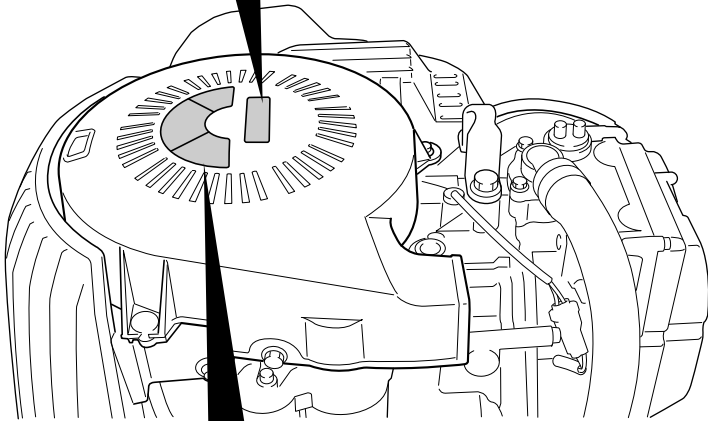
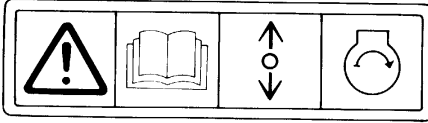
# LOCATION OF SAFETY LABELS

Read and follow all of the labels on your outboard motor or fuel tank. Make sure you understand all of the labels.

Keep the labels on your outboard motor or fuel tank. Do not remove them for any reason.



	<b>WARNING</b>	
<b>AVERTISSEMENT</b>		
<ul style="list-style-type: none"><li>• Fuel can leak creating a fire hazard if you lay motor on its side. Drain fuel completely from vapor separator or carburetor before laying motor on its side.</li><li>• See owner's manual for details.</li></ul>		
<hr/>		
<ul style="list-style-type: none"><li>• Le carburant risque de fuir et de présenter un danger d'incendie si le moteur est placé sur le côté. Vidanger entièrement le carburant du séparateur de vapeurs ou du carburateur avant de procéder.</li><li>• Pour plus de détail, voir le manuel du propriétaire.</li></ul>		



**▲ WARNING**

- When engine is running, keep your hands, feet, clothing, etc., away from the engine.
- Read and understand the manual before operating the motor.

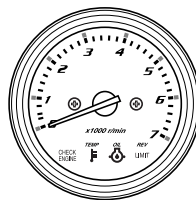
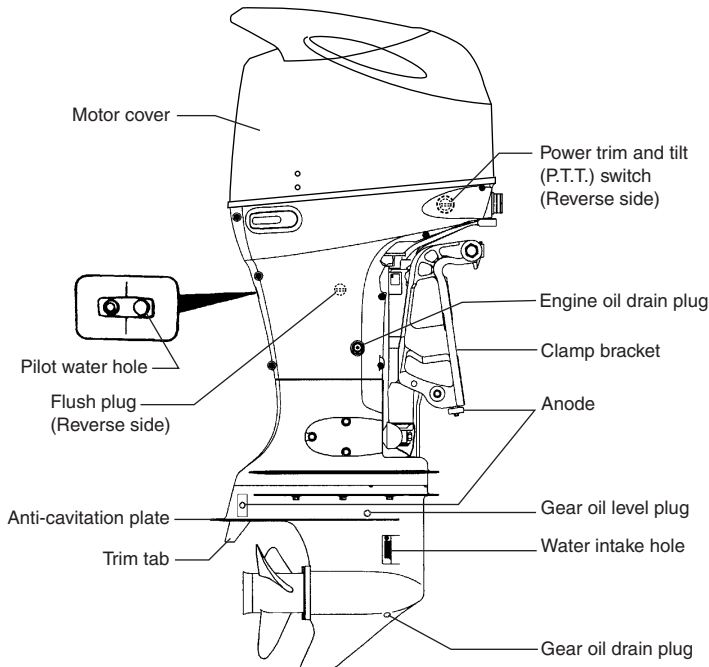
**▲ AVERTISSEMENT**

- Quand le moteur est en marche, éloigner les mains, les cheveux, etc. du moteur.
- Bien lire le manuel du propriétaire avant de mettre le moteur en marche.

**▲ ADVERTENCIA**

- Cuando el motor este funcionando, mantenga sus manos, pertenencias, etc., alejados del motor.
- Lea cuidadosamente el manual del propietario antes de utilizar el motor.

# LOCATION OF PARTS

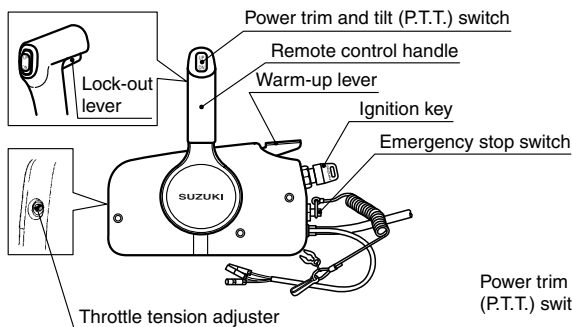


**MONITOR-TACHOMETER**

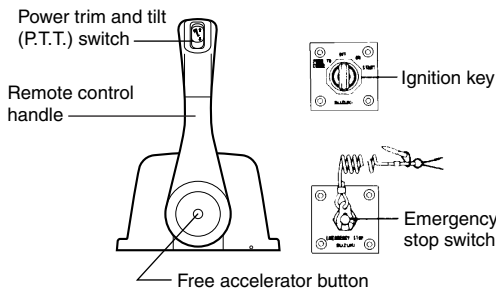


**PRIMING BULB**

## SIDE MOUNT TYPE



## TOP MOUNT TYPE



## REMOTE CONTROL BOX (Option)

# MOTOR INSTALLATION

## WARNING

Overpowering your boat can be hazardous. Excessive horsepower will have an adverse effect on hull safety and may cause operating/handling difficulties. The boat may also sustain stress and hull damage.

Never install an outboard motor with horsepower exceeding the manufacturer's recommended maximum horsepower listed on the boat's "Certification Plate". Contact your authorized Suzuki marine dealer if you are unable to locate the hull "Certificate Plate".

### NOTE:

*It is against federal regulations for any marine dealer to service a motor that exceeds the recommended maximum horsepower for your boat.*

Suzuki strongly recommends that you have your outboard motor, controls and gauges installed by your authorized Suzuki Marine Dealer. He has the tools, the facilities and the know-how.

## WARNING

Failure to have your outboard motor and associated controls and gauges properly installed can result in personal injury or damage.

Suzuki strongly recommends that you have your outboard motor, controls and gauges installed by your authorized Suzuki marine dealer. He has the tools, the facilities, and the know-how to do the job correctly.

# BATTERY INSTALLATION

## BATTERY REQUIREMENT

Choose a 12 Volt cranking-type lead acid battery that meets the specifications shown below.

**650 Marine Cranking Amps (MCA)/ABYC, or 512 Cold Cranking Amps (CCA)/SAE or 160 Reserve Capacity (RC) Minutes/SAE**

### NOTE:

- *The specifications listed above are the minimum battery rating requirements for starting the engine.*
- *Additional electrical loads from the boat will require larger capacity batteries. Consult your Suzuki dealer to determine the proper battery sizing for your boat and engine combination.*
- *Dual-purpose (Cranking/Deep-cycle) batteries can be used if they meet the minimum specifications listed above (MCA, CCA, or RC).*
- *Do not use a Deep Cycle battery for the main cranking battery.*
- *The use of Maintenance-Free, sealed, or Gel-Cell batteries is not recommended because they may not be compatible with Suzuki's charging system.*
- *When connecting batteries in parallel, they must be of the same type, capacity, manufacturer, and of similar age. When replacement is necessary, they should be replaced as a set. Consult your Suzuki dealer for proper battery installation information.*

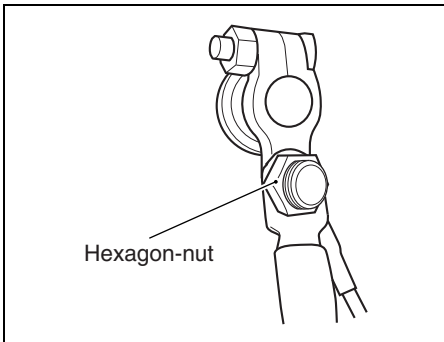
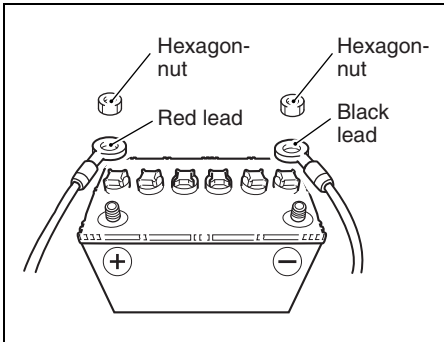
## BATTERY INSTALLATION

Secure the battery in a dry area of the boat, away from vibration.

### NOTE:

- It is recommended that the battery be installed in an enclosed battery case.
- When connecting batteries, hexagon-nuts must be used to secure battery leads to battery posts.

To hook up the battery, first connect the red lead from the motor to the positive battery terminal, then connect the black lead to the negative battery terminal.



### ⚠ WARNING

If you place the battery near the fuel tank, a spark from the battery may ignite the gasoline, causing a fire and/or an explosion.

Do not place the fuel tank in the same compartment/area as the battery.

To remove the battery, first disconnect the black lead from the negative terminal, then disconnect the red lead from the positive terminal.

Connecting and disconnecting the battery as described above will help minimize the chance of creating an accidental short circuit and sparks.

### ⚠ WARNING

**Batteries produce flammable hydrogen gas and may explode if they are near flames or sparks.**

**Never smoke or cause sparks when working near the battery. Keep the battery away from open flames. To avoid creating a spark when charging the battery, connect the battery charger cables to the proper terminals before turning the charger on.**

### ⚠ WARNING

**Battery acid is poisonous and corrosive. It can cause severe injury and can damage painted surfaces.**

**Avoid contact with eyes, skin, clothing, and painted surfaces. If battery acid comes in contact with any of these, flush immediately with large amounts of water. If acid contacts the eyes or skin, get immediate medical attention.**

### NOTICE

The electrical system or its components may be damaged if proper battery precautions are not followed.

- Be sure to attach battery leads correctly.
- Do not disconnect battery leads from the battery while the engine is running.

## USE OF ELECTRICAL ACCESSORIES

The amount of power (12V DC) available for accessories depends on the operating condition of the motor. For getting a detailed information, please inquire of your authorized Suzuki Marine Dealer.

### NOTE:

*Use of too much power for electrical accessories under certain operating conditions can cause the battery to discharge.*

## PROPELLER SELECTION AND INSTALLATION

### PROPELLER SELECTION

It is essential to use a propeller on your outboard motor that is properly matched to your boat's operating characteristics. The speed of the engine when you operate your boat at full throttle depends on the propeller you use. Excessive engine speed can seriously damage the motor, while low engine speed at full throttle will adversely affect the performance. Your operating load will also affect propeller selection. Smaller loads generally require larger-pitch propellers; larger loads generally require smaller-pitch propellers. Your authorized Suzuki Marine Dealer will assist you in selecting a suitable propeller for your boat.

### NOTICE

**Installing a propeller with either too much or too little pitch will cause incorrect maximum engine speed, which may result in severe damage to the motor.**

**Ask your authorized Suzuki marine dealer to assist you in selecting a suitable propeller for your boat.**

You can determine if your propeller is appropriate for use with your boat by using a tachometer to measure engine speed when operating your boat at full throttle, under minimum load conditions. If you are using an appropriate propeller, the engine speed will be within the following range:

DF100A	5000 – 6000 r/min. (min <sup>-1</sup> )
DF115A	5000 – 6000 r/min. (min <sup>-1</sup> )
DF140A	5600 – 6200 r/min. (min <sup>-1</sup> )

If the engine speed is not within this range, consult your authorized Suzuki Marine Dealer to determine which propeller size is best for you.



If you change propellers, be sure to perform the above check again, to confirm that the engine speed under full throttle is within the specified range.

## PROPELLER INSTALLATION

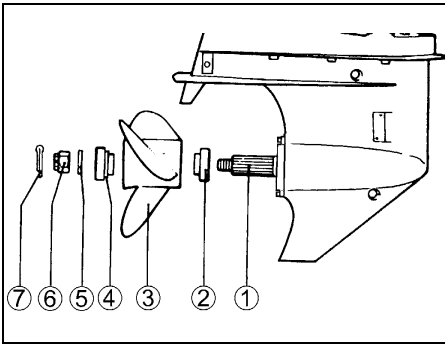
### **▲ WARNING**

**Failure to take proper precautions when installing or removing the propeller can result in severe personal injury.**

**When installing or removing the propeller:**

- **Always shift into “Neutral” and remove the emergency stop switch lock plate so that the motor cannot be started accidentally.**
- **Wear gloves to protect hands, and “lock” the propeller by placing a block of wood between the blades and the anti-cavitation plate.**

To install a propeller on your outboard motor, use the following procedure:



1. Coat the propeller shaft splines ① liberally with Suzuki water resistant grease to help prevent corrosion.
2. Place the stopper ② on the shaft.
3. Align the propeller ③ with the propeller shaft splines and slide the propeller onto the shaft.
4. Place the spacer ④ and washer ⑤ on the shaft.
5. Install the propeller nut ⑥ and tighten it with a torque wrench to 50 – 60 N·m (5.0 – 6.0 kg-m/36.0 – 43.5 lb-ft).

6. Align the grooves in the propeller nut with the hole in the shaft, then insert the cotter pin ⑦ and bend the pin ends over to lock it in place.

To remove the propeller, reverse the above procedure.

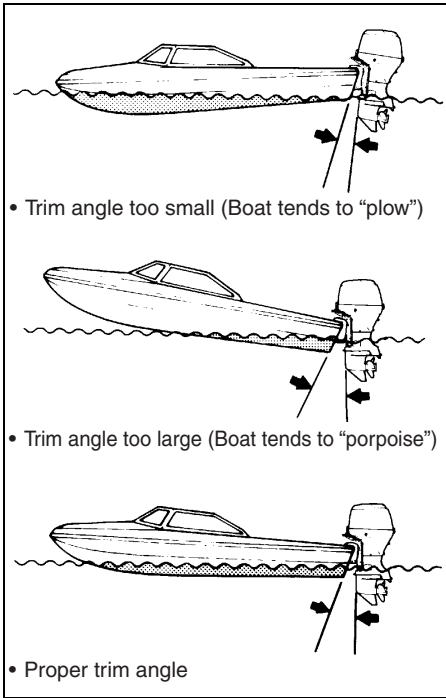
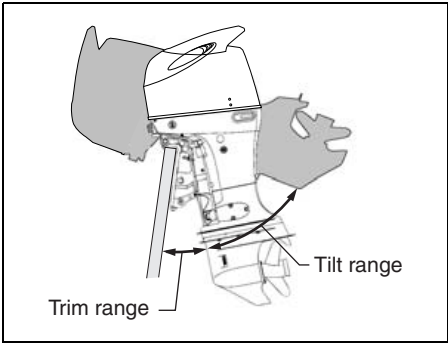
# ADJUSTMENTS

## TRIM ANGLE ADJUSTMENT

To help maintain steering stability and good performance, always maintain the proper trim angle as shown in the illustration. The appropriate trim angle varies depending on the combination of the boat, engine, and propeller, as well as operating conditions.

Make a test run in the boat to determine if the trim angle needs to be adjusted. Adjust the trim angle using the Power Trim and Tilt system. Refer to the POWER TRIM AND TILT section.

If you still cannot achieve good performance, there may be a problem with engine mounting height. Consult your dealer for assistance.



### ▲ WARNING

Trim angle greatly affects steering stability. If the trim angle is too small, the boat may “plow” or “bow steer”. If the trim angle is too large, the boat may “chine walk” from side to side or “porpoise” up and down. These conditions, which result in loss of steering control, can cause occupants to be thrown overboard.

Always maintain proper trim angle based on the combination of your boat, engine, and propeller, as well as operating conditions.

### ▲ WARNING

When the motor is tilted beyond the maximum trim position, the swivel bracket will not have side support from the clamp bracket and the tilt system will be unable to cushion the engine if the lower unit strikes an obstruction. This could lead to occupant injury.

Do not operate the engine above 1500 r/ min or operate the boat in a planing attitude with the motor tilted beyond the maximum trim position.

## NOTICE

If you operate the boat with the motor trimmed beyond the maximum trim position, the water intake holes may be above the water line, causing severe engine damage due to overheating.

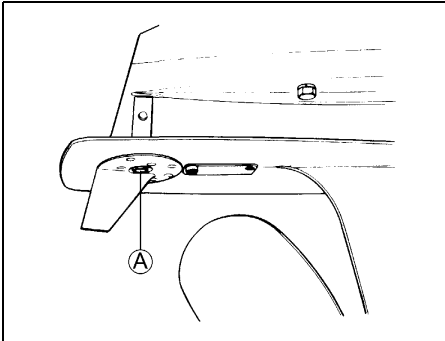
Never operate the boat with the motor trimmed beyond the maximum trim position.

## TRIM TAB ADJUSTMENT

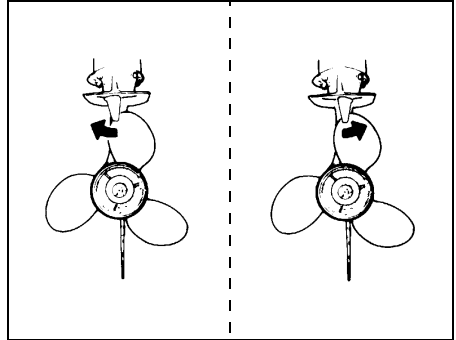
This adjustment is used to compensate for the possible tendency of your boat to veer slightly to port or starboard. This tendency could be due to such things as propeller torque, motor mounting position, etc.

To adjust the trim tab:

1. Loosen the bolt (A) that holds the trim tab in place.



2. If the boat tends to veer to port, move the rear end of the trim tab toward the port side. If the boat tends to veer to starboard, move the rear end of the trim tab toward the starboard side.

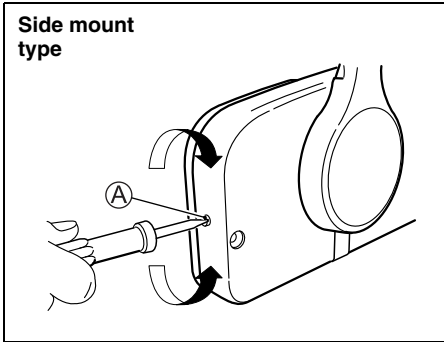


3. Tighten the bolt that holds the trim tab in place.

After adjusting the trim tab, check to see if the boat still tends to veer to one side. If necessary, readjust the trim tab.

## THROTTLE TENSION ADJUSTMENT

The tension of the remote control handle can be adjusted according to your preference. To increase the tension, turn the adjuster (A) clockwise. To decrease the tension, turn the adjuster counterclockwise.



**NOTE:**

### Top mount type

When adjusting the tension of the remote control handle, consult your authorized Suzuki Marine Dealer.

## IDLE SPEED ADJUSTMENT

The idle speed has been factory adjusted between 650 – 750 r/min. in neutral.

**NOTE:**

If idle speed cannot be set within the specified range, contact your authorized Suzuki Marine Dealer.

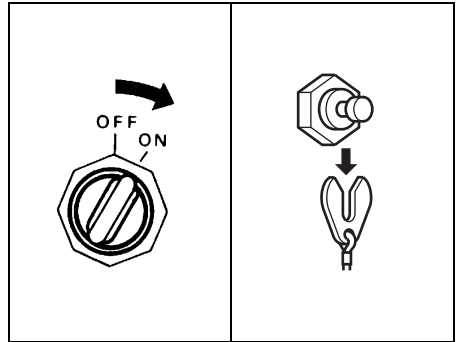
## SETTING OF TILT UPPER LIMIT POSITION

If the outboard motor contacts the motor well of the boat during full tilt up operation, the upper limit setting should be reset.

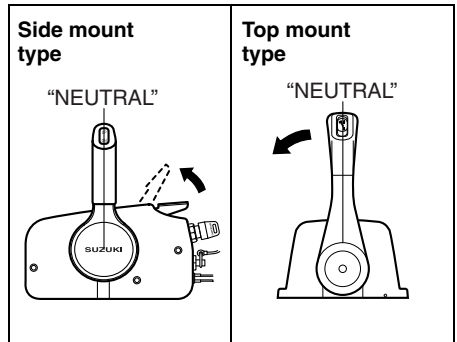
Perform this set-up after the current position setting has been canceled, as explained in the following procedure.

## CANCELING THE TILT UPPER POSITION LIMIT SETTING

1. Turn the ignition key to the "ON" position.
2. Pull out the emergency stop switch lock plate.



3. Make sure that remote control handle is in "NEUTRAL".

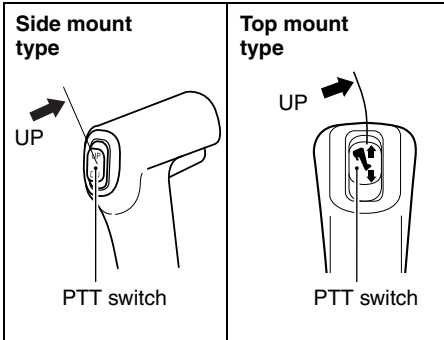


#### 4. Top mount type

Using the throttle only function of the remote control box, move the control handle forward until the caution buzzer sounds one time.

#### Side mount type

Using the throttle only function of the remote control box, move the warm-up lever upward until the caution buzzer sounds one time.



- Press the “UP” side of the PTT switch for three seconds and the buzzer will sound twice briefly indicating the setting has been canceled.
- Return the throttle to the fully closed position.

### SETTING THE TILT UPPER POSITION LIMIT

- Press the “UP” side of the PTT switch so that the optimum full tilt up position for the boat can be obtained.
- Turn the ignition key to the “ON” position.
- Pull out the emergency stop switch lock plate.
- Make sure that remote control handle is in “NEUTRAL”.

#### 11. Top mount type

Using the throttle only function of the remote control box, move the control handle forward until the caution buzzer sounds one time.

#### Side mount type

Using the throttle only function of the remote control box, move the warm-up lever upward until the caution buzzer sounds one time.

- Press the “UP” side of PTT switch three times within three seconds. The buzzer will sound one time briefly indicating the setting has been accepted.
- Return the throttle to the fully closed position and install the lock plate on the emergency switch. Operate the full tilt up and full down operations several times by pressing the PTT switch and check that the setting of both the trim lower limit and tilt upper limit are properly set.

### ⚠ WARNING

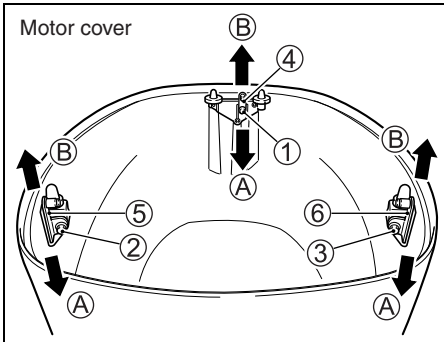
Setting of the tilt upper limit position will not prevent the outboard motor from tilting fully up and contacting the motor well if the motor's lower unit hits an object at high speed. Such tilting could damage your motor and boat and injure the boat occupants.

Keep all occupants away from the motor when operating at high speed.

## MOTOR COVER FASTENING ADJUSTMENT

If you feel motor cover fastening is loose or too tight when locking the levers, adjust as follows:

1. Loosen the bolts ①, ② and ③.
2. Adjust the position of brackets ④, ⑤ and ⑥. To increase the fastening, move the brackets to the direction ①. To decrease the fastening, move the brackets to the direction ②.
3. Tighten the bolts.



## CAUTION SYSTEM

The caution systems are designed to alert you to certain situations which may cause damage to your outboard motor.

### NOTICE

Your outboard motor may become damaged if you rely on the Caution System to alert you to any malfunction that may occur or to give you an indication of the need for maintenance.

To avoid damage to your outboard motor, regularly inspect and maintain it.

### NOTICE

Continuing to operate your outboard motor with the Caution System activated can result in severe damage to your outboard motor.

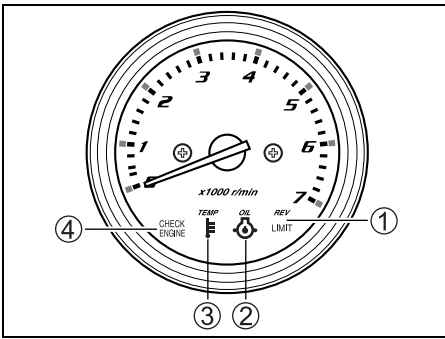
If the Caution System activates while you are operating your outboard motor, stop the motor as soon as possible and correct the problem or consult your authorized Suzuki marine dealer for assistance.

## INDICATOR CHECK

Each time the ignition key is turned to the "ON" position, four lamps – the REV LIMIT ①, the OIL ②, the TEMP ③ and the CHECK ENGINE ④ in the monitor-tachometer will light briefly and the buzzer will also sound for the first two seconds, regardless of the motor conditions.

For the next three seconds, the monitor-tachometer will indicate the total motor operating hours by means of the lamp flashing and needle indicating.

After this brief check period, the monitor-tachometer will return to their stand-by mode and will only respond to motor conditions requiring a caution alert.



### NOTICE

If the Caution System is not working properly, you may not be alerted to a condition that can cause damage to your out-board motor.

If any of the four lamps does not come on or the buzzer does not sound when the ignition key is turned to the “ON” position, the lamp or buzzer may be broken or a failure may exist in the system circuit. Consult your authorized Suzuki marine dealer.

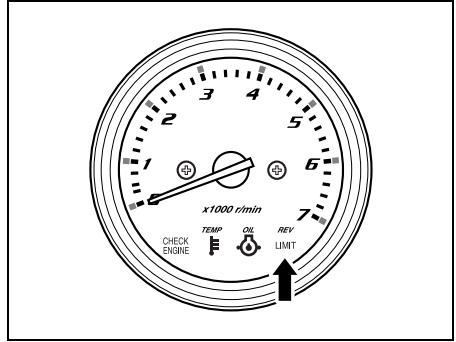
**NOTE:**

For checking the total motor operating hours, refer to the *CHART OF TOTAL OPERATING HOURS INDICATION* on the last page.

### OVER-REVOLUTION CAUTION SYSTEM

This system is activated when engine speed exceeds maximum recommended speed for more than 10 seconds.

If this system activates, engine speed will automatically be reduced to approximately 3000 r/min. with red REV LIMIT lamp lit.



This system must be reset by moving the throttle to the idle position for about one second to restore full engine operation.

### NOTICE

If the Over-Revolution Caution System activates at recommended maximum throttle and you are sure that the propeller pitch is sufficient and there are no factors like “over-trimming” or “ventilation”, there may be a problem with the Over-Revolution Caution System.

Consult your authorized Suzuki marine dealer if the Over-Revolution Caution System activates for no apparent reason.

## OIL PRESSURE CAUTION SYSTEM

This system operates when the engine lubricating oil pressure drops below the correct level.

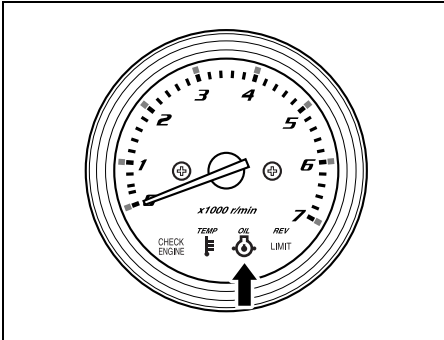
If this system activates, the red OIL lamp will light and a buzzer will begin a series of beep. In addition, when this system is activated at 1000 r/min. or higher, engine speed will automatically be reduced to approximately 1000 r/min. with REV LIMIT lamp lit.

If you continue to run, the engine will automatically stop 3 minutes after beginning of the above CAUTION system activation.

### NOTE:

*In case that the engine is automatically stopped due to the CAUTION system, the engine can be started again.*

*However the CAUTION system will repeatedly activate until eliminating the cause.*



If this system activates, stop the engine immediately, if wind and water conditions make it safe to do so.

## ⚠ WARNING

**If you attempt to remove or reinstall the motor cover while the engine is running, you may be injured.**

**Before checking the oil level, stop the engine and remove the motor cover.**

Check the oil level and add oil if necessary. If the oil level is correct, consult your authorized Suzuki Marine Dealer.

## NOTICE

**Your engine may become severely damaged if you rely on the Oil Pressure Caution System to indicate the need to add engine oil.**

**Check the engine oil level periodically and add oil as necessary.**

## NOTICE

**Operating the engine with the Oil Pressure Caution System activated can result in severe engine damage.**

**If the Oil Pressure Caution System activates, stop the engine as soon as possible and add engine oil, if necessary, or otherwise correct the problem.**

## COOLING WATER CAUTION SYSTEM

This system is activated when the cylinder wall temperature is too high due to insufficient water cooling.

### NOTE:

*The cooling water caution system will not detect high combustion chamber temperature caused by, for example, an oil system malfunction, poor quality fuel, or spark plugs with an incorrect heat range.*

If this system activates, the red TEMP lamp will light and the buzzer will begin a series of beep. In addition, when this system is activated at 3000 r/min. or higher, engine speed will automatically be reduced to approximately 3000 r/min. with REV LIMIT lamp lit.

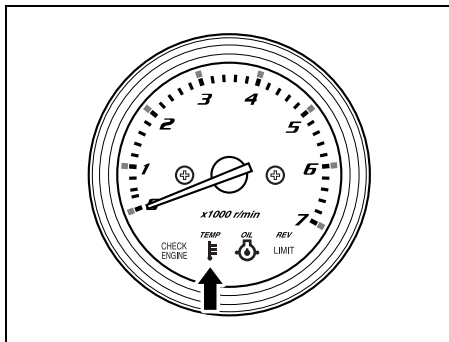
If you continue to run, the engine will automatically stop 3 minutes after beginning of the above CAUTION system activation.



**NOTE:**

*In case that the engine is automatically stopped due to the CAUTION system, the engine can be started again.*

*However the CAUTION system will repeatedly activate until eliminating the cause.*



If the cooling water caution system activates when operating, reduce engine speed immediately and check if water is being discharged from the pilot water hole. If no water is seen, follow the procedures outlined below.

Water and wind conditions permitting, stop the engine, tilt it out of the water and remove any debris like seaweed, plastic bags or sand that may have blocked the water intakes.

Lower the engine into the water, being sure that water intakes are immersed, and restart it.

Check (A) that water discharges from the pilot hole and (B) that the red TEMP lamp is no longer lit.

Be aware that the red TEMP lamp may light again if engine temperature rises abnormally. If either of the above situations arises, your authorized Suzuki Marine Dealer must be consulted as soon as possible.

**NOTE:**

*If pilot hole water discharge is sufficient, buzzer and TEMP lamp may still operate until engine temperature decreases. Run engine in NEUTRAL only until the caution systems are cancelled.*

**NOTICE**

**Operating the engine with the Cooling Water Caution System activated can result in severe engine damage.**

**If the Cooling Water Caution System activates, stop the engine as soon as possible, wind and water conditions permitting, and inspect the engine according to the above instructions. Consult your authorized Suzuki marine dealer if you cannot correct the problem.**

**NOTE:**

*Remember that the cooling water caution system cannot detect overheating caused by, for example, an oil system malfunction, poor quality fuel, or incorrect spark plugs.*

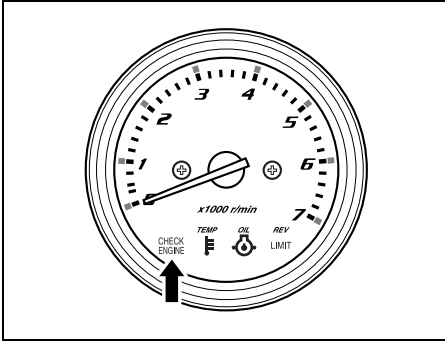
**NOTE:**

*If the engine is operated beyond the maximum trim position, the water intake holes may be above the water line. In this situation, the cooling water caution system may activate.*

## BATTERY VOLTAGE CAUTION SYSTEM

This system is activated when the battery voltage deficiency which could impair your motor's performance occurs.

If this system activates, the red CHECK ENGINE lamp will light and buzzer will begin a series of beep.



This system will be canceled automatically when the battery voltage restores to the proper voltage level. Refrain from using any electrical equipment such as P.T.T. system, hydraulic trim tabs, hydraulic jack plate, etc.

### ⚠ WARNING

**Failure to take proper precautions when inspecting or servicing the battery can be hazardous.**

**Do not attempt to inspect or service the battery without first reading the warnings, cautions, and instructions in the "BATTERY INSTALLATION" section of this manual.**

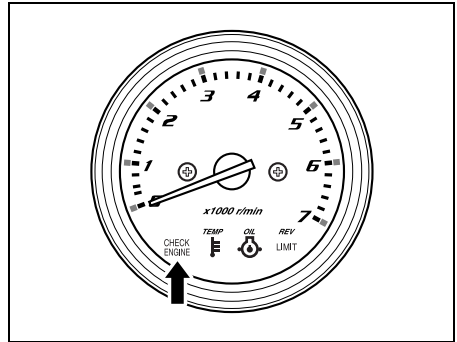
#### NOTE:

- A marginal battery may have enough power to start your engine, yet may still cause this caution system to activate whenever engine or boat accessory use places a high current demand on the battery.
- If this caution system activates continuously, even after you have stopped using engine or boat accessories, contact your authorized Suzuki Marine Dealer.

## DIAGNOSTIC SYSTEM

If abnormal conditions exist in any sensor signal being sent to the control unit, the self-diagnostic system warns of the abnormal condition.

If this system activates, the red CHECK ENGINE lamp will flash and a buzzer will sound.



Also incorporated is a fail-safe provision that allows the operation at a restricted speed even under such a failure condition.

#### NOTE:

- The CHECK ENGINE lamp will light briefly when the ignition key is turned to the "ON" position.
- The failed system can be identified by the mode of the red CHECK ENGINE lamp flashing and buzzer sounding. This diagnostic code is designed to appear while the ignition key is turned on.
- The buzzer sound with diagnostic system activating will be canceled by pushing the ignition key in.

### NOTICE

**If the diagnostic system activates while you are operating your outboard motor, there is an abnormal condition in one of the sensor signals of the control system.**

**Consult your authorized Suzuki marine dealer for repair of the control system.**

# OIL CHANGE REMINDER SYSTEM

This system informs the operator of the time for replacing engine oil on the basis of the maintenance schedule.

The system is designed to register the total operating hours of the outboard motor and function its operation when the preprogrammed hours have reached.

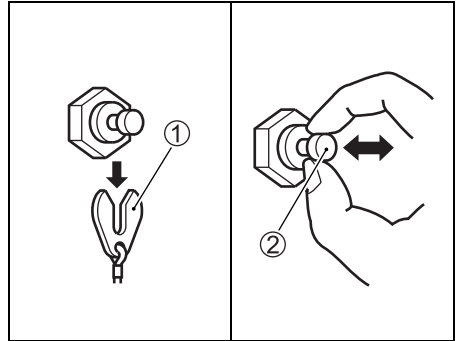
(Refer to the INSPECTION AND MAINTENANCE section and the last page.)

## SYSTEM ACTIVATION

When the total operating hours have reached the preprogrammed hours, the OIL lamp will flash. If the engine is not running, the buzzer will begin a series of double beeps additionally. This indication will repeat until you cancel the system activation.

## CANCELLATION

1. Turn the ignition key to the "ON" position.
2. Pull out the emergency stop switch plate ①.
3. Pull up the emergency stop switch knob ② three times in 10 seconds. A short beep will be heard if the cancellation is successfully finished.



4. Turn the ignition key to the "OFF" position.
5. Set the plate ① in the original position.

### NOTE:

- *Canceling of the system activation is possible regardless of whether or not the engine oil has been replaced. Once the system has operated, however, Suzuki strongly recommends that the engine oil be replaced before canceling the system activation.*
- *Even if the engine oil has been replaced with the system not operating, it is still necessary to perform the cancellation.*

## ENGINE STALLING CAUTION SYSTEM

This system informs the operator when the motor stalls while it is operating.

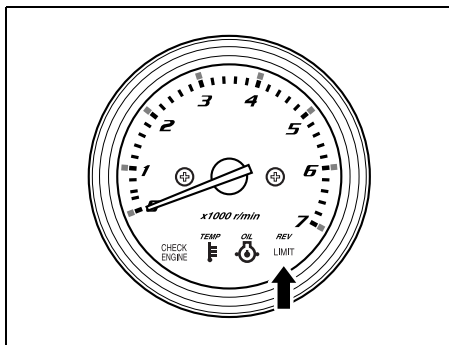
When the engine stalls for any reason, the caution buzzer sounds three times.

## WATER IN FUEL ALERT SYSTEM

This engine is equipped with an integral fuel filter/water separator and associated alert system.

The alert system will activate if water separated from the fuel exceeds a specific volume.

If this system activates, the red REV-LIMIT lamp will flash and a buzzer will begin a series of triple beeps when the engine is in neutral only.



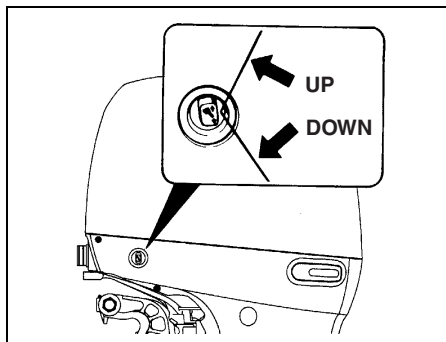
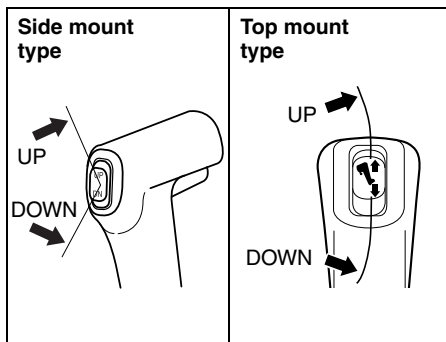
If this system activates, stop the engine immediately, if wind and water conditions are safe to do so, and check the fuel filter/water separator for water. Or consult your authorized Suzuki marine dealer.

For inspection and cleaning of the fuel filter, refer to the LOW PRESSURE FUEL FILTER in the INSPECTION AND MAINTENANCE section.

## OPERATION OF TILTING SYSTEMS

### POWER TRIM AND TILT

The "Power Trim and Tilt" is operated by pressing the switch. To tilt the motor up, press the upper part of the switch. To tilt the motor down, press the lower part of the switch.



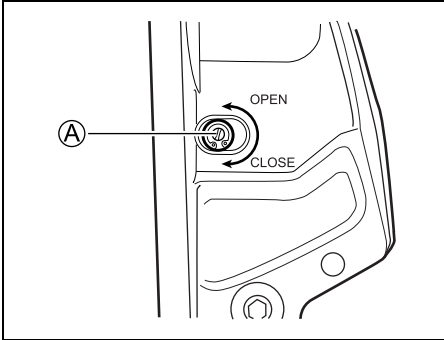
### ▲ WARNING

The power trim and tilt (PTT) switch can be accidentally activated when the ignition key is off, resulting in injury.

Keep all persons away from the outboard motor to help prevent accidental activation of the PTT system.

## MANUAL TILTING

If you are unable to tilt the motor using the “Power Trim and Tilt” because of an electrical problem or some other problem, you can move the motor manually. To tilt the motor up or down, turn the manual release screw (A) two turns counterclockwise, move the motor to the desired position, then retighten the release screw.



### ▲ CAUTION

**The motor is very heavy. When you tilt it manually, you could injure your back or slip and fall causing injury.**

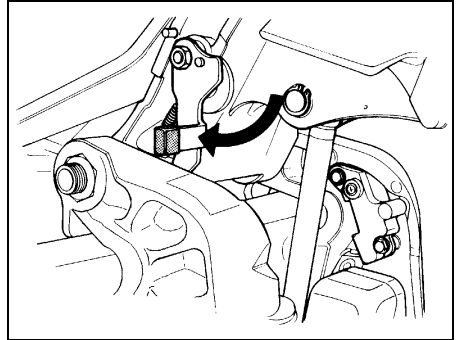
**When you tilt the motor manually, ensure that your grip and footing are secure and that you are able to support the weight of the engine.**

## TILT LEVER

The Tilt Lever is provided so you can support the motor in a tilted position for non-moving engine support.

To set the Tilt Lever:

1. Tilt the motor all the way up using the Power Trim and Tilt.
2. Pull down the Tilt Lever as shown in the illustration.
3. Lower the motor using the Power Trim and Tilt, until the motor is supported by the Tilt Lever.



To release the Tilt Lever, tilt the motor all the way up using the Power Trim and Tilt “UP” switch, and pull up the Tilt Lever.

### ▲ CAUTION

**The remote Power Trim and Tilt switch will work when the ignition switch is off. If someone activates the switch while you are moving the tilt lever, your hand could be injured.**

**Keep all persons away from the remote Power Trim and Tilt switch while you are moving the tilt lever.**

## ***NOTICE***

Damage can occur if you use the tilt lever other than when the boat is moored or is otherwise stationary.

The tilt lever relieves pressure from the power trim and tilt and should only be used when the boat is stationary. Do not use the tilt lever when trailering your boat and motor. Refer to the TRAILERING section of this manual.

# **INSPECTION BEFORE BOATING**

## **▲ WARNING**

Failure to inspect your boat and motor before beginning a trip can be hazardous.

Before boating, always perform the inspections described in this section.

It is important to make sure that your boat and motor are in good condition and that you are properly prepared for an emergency.

Always perform the following checks before you begin boating:

- Check that you have enough fuel for the intended run.
- Check the level of engine oil in the sump.

## ***NOTICE***

Running the engine with an insufficient amount of oil can cause serious engine damage.

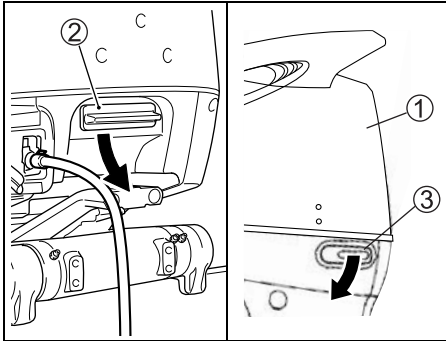
Always check the oil level before each trip and add oil if necessary.

To check the oil level:

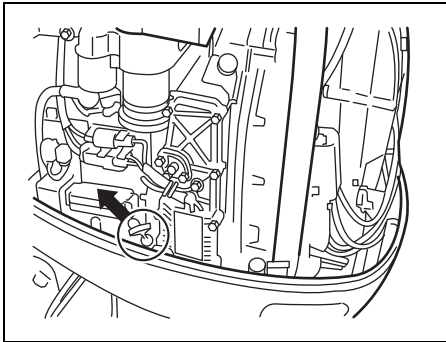
### ***NOTE:***

*To avoid an incorrect assessment of engine oil level, check the level only when the engine has cooled.*

- Place the motor in a vertical position, then remove the motor cover ① by unlocking the lever ② and ③.



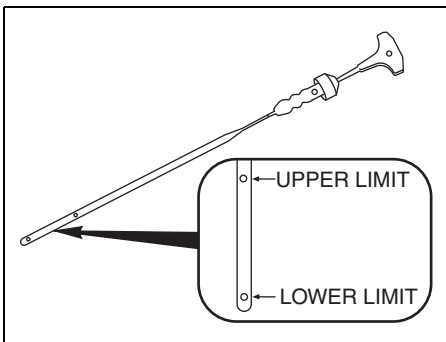
- Pull out the oil dipstick and wipe oil off with a clean cloth.



**NOTE:**

If the engine oil is contaminated or discolored, replace with fresh engine oil. Refer to the **ENGINE OIL** section.

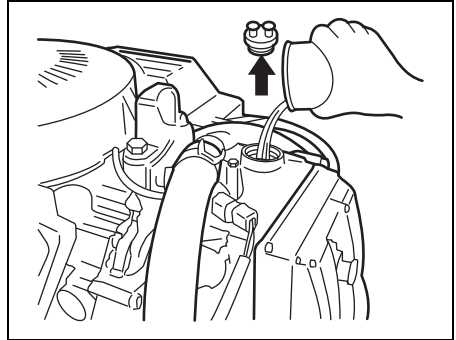
- Insert the dipstick all the way into the engine, then remove it again.



The oil on the dipstick should be between the upper and lower limits shown on the dipstick. If the oil level indication is near the lower limit, add enough oil to raise the level to the upper limit.

To fill the engine with oil:

- Remove the oil filler cap.
- Fill with recommended engine oil to the upper level.



**NOTICE**

Running the engine with an excessive amount of oil can damage the engine.

Do not overfill the engine with oil.

- Tighten the oil filler cap securely.

- **Check the battery solution level.**  
The level should be kept between the **MAX** and the **MIN** level lines at all times. If the level drops below the **MIN** level line, refer to **MAINTENANCE** section.
- **Make sure that the battery leads are securely connected to the battery terminals.**
- **Visually check the propeller to make sure it is not damaged.**
- **Make sure the motor is securely mounted to the transom.**

- Check for proper operation of the Power Trim and Tilt.
- Make sure the tilt pin is securely installed in the proper position.
- Check for proper trim angle.
- Make sure you have the boating safety and emergency equipment on board.

## BREAK-IN

Proper operation during this break-in period will help ensure maximum life and performance from your engine. The following guidelines will explain proper break-in procedures.

### **NOTICE**

**Failure to follow the break-in procedures described below can result in severe engine damage.**

**Be sure to follow the engine break-in procedures described below.**

**Break-in period:** 10 hours

### **Break-in procedure**

1. For the initial 2 hours:  
Allow sufficient idling time (about 5 minutes) for the engine to warm up after cold engine starting.

### **NOTICE**

**Running at high speed without sufficient warm-up may cause severe engine damage such as piston seizure.**

**Always allow sufficient idling time (5 minutes) for the engine to warm-up before running at high speed.**

After warming up, run the engine at idling speed or the lowest in-gear speed for about 15 minutes.

During the remaining 1 hour and 45 minutes, if safe boating conditions permit, operate the engine in gear at less than 1/2 (half) throttle (3000 r/min.).

### **NOTE:**

*You may throttle up beyond the recommended operating range to plane your boat, then immediately reduce the throttle to the recommended operating range.*



2. For the next 1 hour:  
Safe boating conditions permitting, operate the engine in gear at 4000 r/min. or at three-quarter throttle. Avoid running the engine at full throttle.
3. Remaining 7 hours:  
Safe boating conditions permitting, operate the engine in gear at desired engine speed. You may occasionally use full throttle; however do not operate the engine continuously at full throttle for more than 5 minutes at any time.

### **NOTICE**

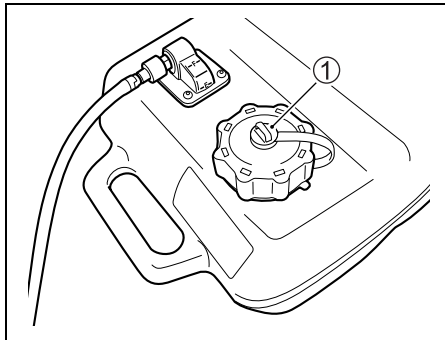
Running continuously at full throttle for more than 5 minutes at a time during the last 7 hours of break-in operation may cause severe engine damage such as seizure.

During the last 7 hours of break-in operation, do not operate at wide open throttle for more than 5 minutes at a time.

## **OPERATION**

### **BEFORE ATTEMPTING TO START THE ENGINE**

1. Lower the motor into the water.
2. If there is a manual fuel tank air-vent, turn the air-vent screw ① on top of the fuel tank cap fully counterclockwise to open the vent.



### **▲ WARNING**

When connecting the fuel hose to the portable fuel tank or motor, the fuel may be under pressure and may spray out around the connector, causing serious injury.

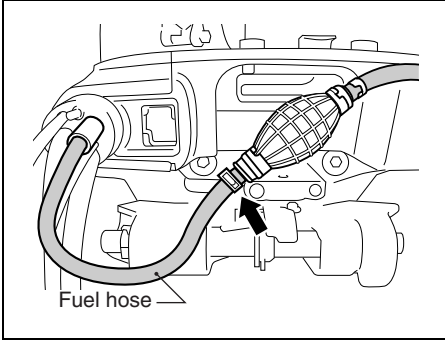
Before connecting the fuel hose, loosen and retighten the fuel tank cap once to relieve the fuel pressure in fuel tank.

For handling the fuel tank cap, refer to the “FUEL AND OIL/FILLING FUEL TANK” section in this manual.

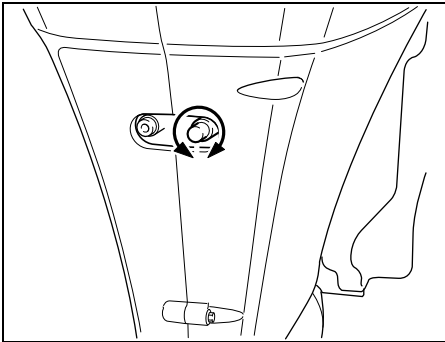
#### **NOTE:**

*SUZUKI genuine portable fuel tanks have a semi-auto air vent.*

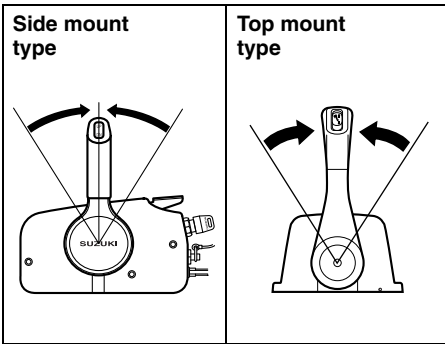
3. Make sure that the motor fuel hose and the hose from the boat's fuel tank are securely attached and clamped.



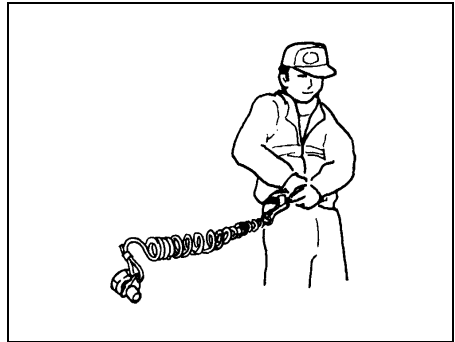
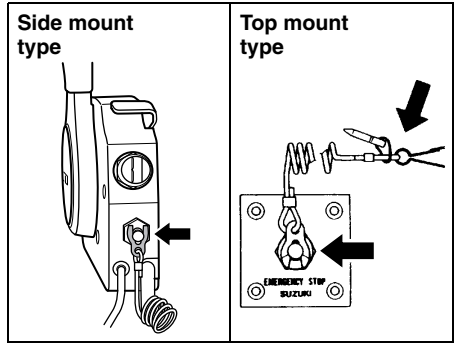
4. Direct the pilot water hole to the position you intend.



5. Make sure the motor is in "NEUTRAL".



6. Make sure the lock plate is in place and the emergency stop switch cord is fastened securely to your wrist or appropriate clothing area such as your belt.



## ▲ WARNING

Failure to properly attach the emergency stop switch cord or to take proper precautions to help ensure that the emergency stop switch works as intended may result in serious injury or death to the operator or passengers.

Always take the following precautions:

- Make sure that the emergency stop switch cord is fastened securely to the operator's wrist or to an appropriate clothing area (belt etc.).
- Ensure that no obstructions impede or restrict emergency stop switch operation.
- Be careful not to pull the stop switch cord or knock out the lock plate during normal operation. The motor will stop abruptly, and the loss of forward motion may unexpectedly throw occupants forward.

### NOTE:

*There is a spare plastic lock plate for temporary use only. Remove it from the cord and place in a safe place on the boat. However, the original cord and lock plate should be replaced as soon as possible.*

## STARTING THE ENGINE

## ▲ WARNING

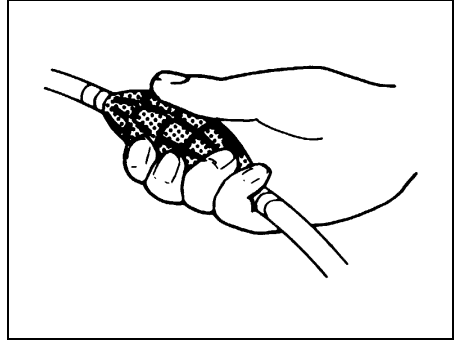
Exhaust gas contains carbon monoxide, a dangerous gas that is difficult to detect because it is colorless and odorless. Breathing carbon monoxide can cause death or severe injury.

Never start the engine or let it run indoors or where there is little or no ventilation.

### NOTE:

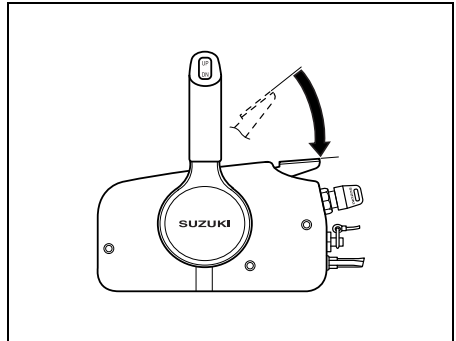
*If the emergency stop switch lock plate is not in position, the starter motor cannot operate.*

1. Squeeze the fuel line priming bulb several times until you feel resistance.



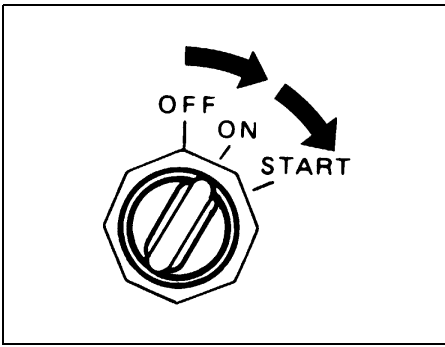
2. **Side mount type:**

Make sure the warm-up lever is in the fully closed position.



3. Turn the ignition key to the "ON" position, then observe the monitor-tachometer indication. If nothing abnormal is indicated, then turn the key to the "START" position to start the engine.

After returning the ignition key to "ON" position from "START" one, starter motor continue to turn for 4 seconds until engine start.



### NOTICE

If you hold the ignition key at the “START” position to start the engine, the starter system can be damaged.

Turn the ignition key to the “START” position once and release it to start the engine.

The engine will crank continuously for 4 seconds or until the engine starts.

### NOTICE

If the OIL lamp remains lit while operating the outboard, the oil level may be low enough to damage the engine.

Stop the engine and check the oil level.

**NOTE:**

*The continuous operating time of the starter motor is set at five seconds.*

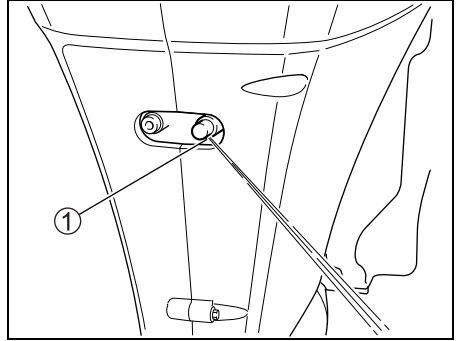
*When this time is exceeded, the starter motor will automatically stop.*

*If the motor stops, wait about ten seconds for the motor to cool down and try again.*

4. Warm up the engine for about 5 minutes.

### Cooling water check

As soon as the engine starts, water should spray out of the pilot water hole ①, indicating that the water pump and cooling system are working properly. If you notice that water does not spray out of the pilot water hole, stop the engine as soon as possible and consult your authorized Suzuki Marine Dealer.



### NOTICE

Never operate your outboard motor when there is no water coming out of the pilot water hole, or severe damage can result.

After starting the engine, check to make sure that there is water coming out of the pilot water hole.

### ▲ WARNING

Operating the boat when the emergency stop switch is not operating properly can be hazardous.

Before starting off, check to make sure that the emergency stop switch operates properly.

## SHIFTING AND SPEED CONTROL

### NOTICE

Severe engine damage may occur if (a) engine speed is not allowed to return to idle and boat speed is not reduced when shifting from “FORWARD” to “REVERSE” or from “REVERSE” to “FORWARD”, or (b) care is not taken when operating the boat in reverse.

Always allow the engine speed to return to idle before shifting. Exercise caution and use minimal speed when operating the boat in reverse. Be sure the handle/shift lever is in the desired position before accelerating.

### NOTICE

If you shift gears when the engine is not running, the shifting mechanism can be damaged.

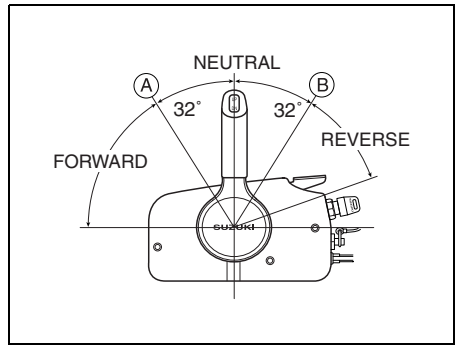
Avoid shifting gears when the engine is not running.

### Shifting

To shift into “FORWARD”, squeeze the lock-out lever on the control handle and move the control handle forward to approximate position (A), as shown in the illustration.

To shift into “REVERSE”, squeeze the lock-out lever on the control handle and move the control handle rearward to approximate position (B), as shown in the illustration.

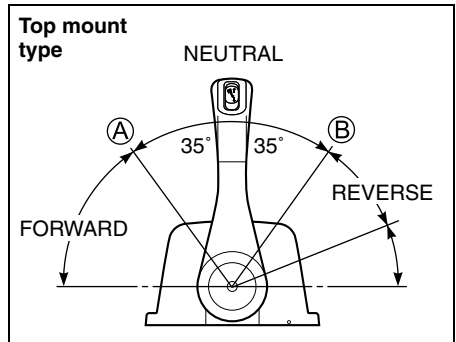
A detent or notch is present on all Suzuki control boxes to provide a “feel” for positions (A), (B), and neutral. Always shift quickly and firmly from neutral to position (A) or (B) to prevent abnormal wear on the gear and clutch engagement surfaces.



### NOTE:

#### Top mount type

Not equipped with a lock-out lever. Exercise care when selecting neutral position.



### Speed control

To increase speed after you have shifted into gear, continue moving the control handle forward or rearward.

### ▲ WARNING

Since the same handle is used for shifting and speed control it is possible to move the handle past the detent and engage the throttle. This can cause the boat to move suddenly resulting in personal injury or property damage.

You must be careful not to move the control handle too far forward or rearward when shifting.

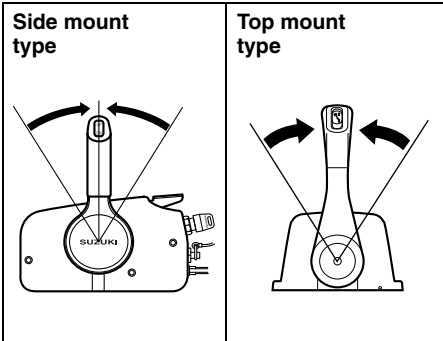
## STOPPING THE ENGINE

### NOTE:

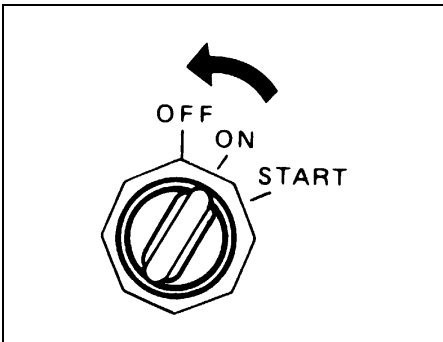
When it is necessary to stop the engine in an emergency, pull the emergency stop switch lock plate out of the emergency stop switch by pulling the emergency stop switch cord.

To stop the engine:

1. Shift into "NEUTRAL".
2. After operating at full throttle, cool off the engine a few minutes by allowing it to idle or troll at low speed.



3. Turn the ignition key to the "OFF" position. Always leave the ignition key in the "OFF" position when the motor is not running, or the battery can discharge.



## NOTICE

If the ignition key is left ON when the engine is not running, the battery will discharge.

Always turn the ignition key OFF when the engine is not running.

## ⚠ WARNING

Unauthorized use of your boat could lead to an accident or damage to your boat.

To prevent unauthorized use of your boat, be sure to remove the key and emergency stop switch lock plate when the boat is unattended.

4. After stopping the engine, disconnect the fuel line from the outboard motor if there is a fuel connector.

## ⚠ WARNING

If you leave the motor stopped for a long period of time with the fuel line connected, fuel can leak out.

Disconnect the fuel line from fuel tank, if there is a fuel connector, whenever you leave the motor stopped for a long period of time.

5. Turn the air-vent screw on the fuel tank cap clockwise to shut the vent (if equipped)

### NOTE:

To make sure that the emergency stop switch operates properly, stop the engine occasionally by pulling out the lock plate, while operating the engine at idling speed.

## MOORING

The motor should be tilted up out of the water when you moor the boat in shallow water or if the motor will not be used for some time, to protect it from damage by underwater obstacles at low tide or corrosion from salt water.

Refer to the TILT LEVER section for details on how to tilt up the motor.

### NOTICE

**Improperly securing your boat may cause damage to your boat or motor, or other property damage.**

**Do not allow your motor to rub against quay walls, piers or other boats when the boat is tied up.**

## OPERATION IN SHALLOW WATER

When operating your boat in shallow water, it may be necessary to tilt the motor higher than the normal trim angle. When you tilt the motor beyond the normal trim angle, however, you should only operate the boat at slow speeds. After returning to deep water, be sure to lower the motor to the normal trim angle.

To tilt the motor higher than the normal trim angle, use the Power Trim and Tilt switch.

### ⚠ WARNING

**When the motor is beyond the maximum trim position, the swivel bracket will not have side support from the clamp bracket and the tilt system will be unable to cushion the engine if the lower unit strikes an obstruction. This could lead to occupant injury. In addition, beyond the maximum trim position, the water intake holes may be above the water line, which can result in severe engine damage from overheating.**

**Do not operate the engine above 1500 r/min or operate the boat in a planning attitude with the engine beyond the maximum trim position.**

### NOTICE

**If the motor hits bottom, serious damage can occur.**

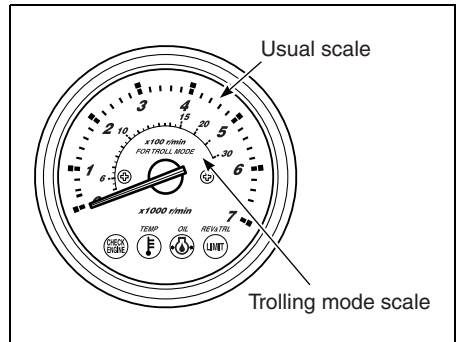
**Do not allow the motor to hit bottom. If the motor does strike bottom, inspect it immediately for damage.**

## OPERATING THE TROLL MODE (Optional Item)

Trolling speed can be controlled to install the optional Troll Mode switch. Please contact your authorized Suzuki Marine Dealer for more information.

### NOTE:

*To monitor engine speed correctly during the troll mode operation, Suzuki recommends the use of the Suzuki 2-scale Monitor Tachometer.*



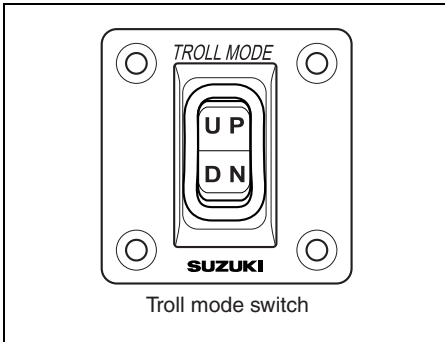
## System Outline

The "Troll Mode System" is activated by pressing the troll mode switch, when the motor is running at in-gear idle speed. By using this system, you can set and maintain a desired engine speed with the control switch in a range from in-gear idle speed (approx. 700 rpm) to 1200 rpm.

## How to use the Troll Mode

### Setting the troll mode:

1. Shift into forward or reverse gear and make sure that the throttle is fully closed (in-gear idle speed).
2. Press the "UP" or "DN" position of the troll mode switch, until you hear one beep.  
The REV/TRL (or REV) lamp on the monitor gauge will flash indicating that the motor has been set to the troll mode. The REV/TRL (or REV) lamp will continue to flash while the motor is in the troll mode.



#### NOTE:

The troll mode system will not operate if the switch is depressed when the remote control lever is in the neutral position.

### Adjusting trolling speed:

- When pressing the "UP" switch, one short beep sounds and the engine speed increases by 50 rpm.
- When pressing the "DN" switch, one short beep sounds and the engine speed decreases by 50 rpm.

#### NOTE:

- When pressing the "DN" switch at the lower limit of trolling speed, the engine speed will not change and three long (0.8 sec.) beeps will sound.
- When pressing the "UP" switch at the upper limit of trolling speed, the engine speed will not change and three long (0.8 sec.) beeps will sound.
- Shift operation and throttle control remain operational, even in troll mode.

### Cancelling the troll mode:

The troll mode can be cancelled by shifting the remote control lever to the neutral position, or by increasing the engine speed to 3000 rpm or more. In both cases, two short (0.1 sec.) beeps sound when cancelling the troll mode.

## OPERATION IN SALT WATER

After operating the motor in salt water, you should flush the water passages with clean, fresh water as outlined in the FLUSHING THE WATER PASSAGES section. If you do not flush the water passages, salt can corrode the motor and shorten its life.

## OPERATION IN FREEZING WEATHER

When operating your outboard motor in freezing temperatures, you should keep the lower unit submerged in the water at all times. When taking motor out of the water, stand it up in a vertical position until the cooling system drains completely.

### NOTICE

If you leave your outboard motor out of the water in freezing temperatures with water still in the cooling system, the water can freeze and expand, causing severe damage to the motor.

When your outboard is in the water in freezing temperatures, keep the lower unit submerged in the water at all times. When the motor is stored out of the water in freezing temperatures stand it up in the vertical position so that the cooling system drains completely.



# MOTOR REMOVAL AND TRANSPORTING

## MOTOR REMOVAL

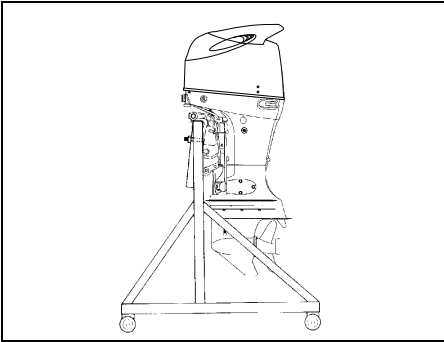
If it is necessary to remove the outboard motor from your boat, we recommend that you ask your authorized Suzuki Marine Dealer to do the work for you.

## MOTOR TRANSPORTING

When transporting the motor, place the motor either vertically or horizontally.

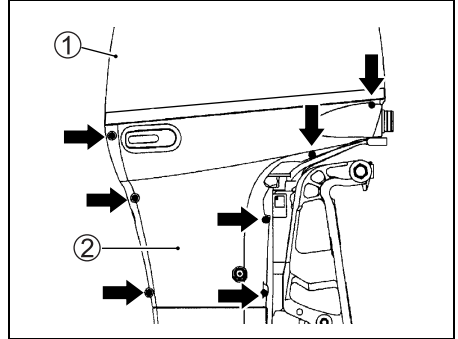
### Vertical transport:

Attach the clamp bracket to a stand by securing two transom bolts.

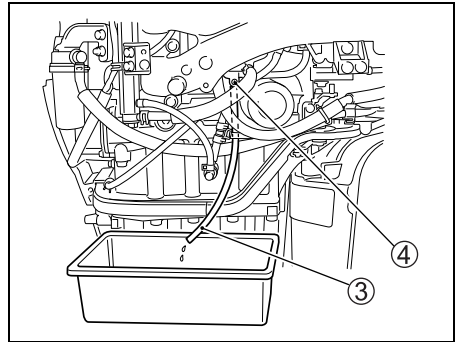


### Horizontal transport:

1. Drain the engine oil. Refer to the ENGINE OIL section.
2. Drain the gasoline from the vapor separator as follows:
  - (1) Remove the motor cover ①.
  - (2) Remove the seven (7) bolts using a 8 mm box wrench, then remove the starboard side cover ②.



- (3) Pull the drain hose end ③ out.
- (4) Loosen the vapor separator drain screw ④ and drain the gasoline into a suitable container.

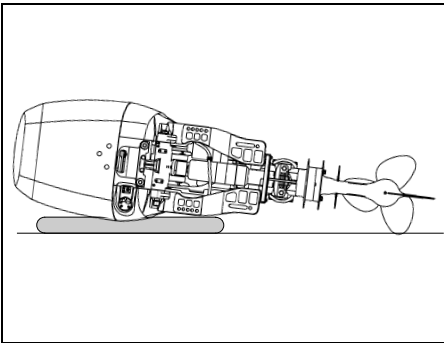


## **▲ WARNING**

Gasoline is extremely flammable and toxic. It can cause a fire and can be hazardous to people and pets.

Use a proper, safe container to store any gasoline drained from the outboard motor. Keep gasoline away from sparks, flames, people, and pets.

- (5) After draining, retighten the drain screw and reinstall the all items back in place.
3. Rest the motor on a case protector with the starboard side downwards as shown.



## **▲ WARNING**

Spilled fuel or fuel vapor can cause a fire and is hazardous to health.

Always take the following precautions:

- Drain the fuel from the fuel line and fuel vapor separator before transporting the boat/outboard motor and before removing the motor from the boat.
- **DO NOT** lay motor on its side without draining fuel.
- Keep the motor away from open flames or sparks.
- Wipe up spilled fuel immediately.

## **NOTICE**

If you are not careful when resting the outboard on its side and do not take proper precautions such as first draining the engine oil and cooling water completely, damage can occur. Engine oil may enter the cylinder from the sump, water may enter the cylinder through the exhaust port, or the outer casings may be damaged.

**Always drain the engine oil and cooling water completely before laying the motor on its side, and be careful laying the motor down.**

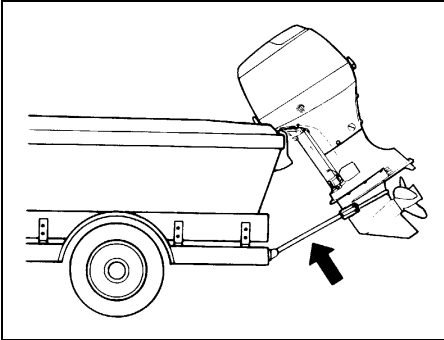
## **NOTICE**

If you let the lower unit of your outboard sit higher than the power head during transporting or storing, water may trickle into the power head, causing damage to the engine.

**Never let the lower unit sit higher than the power head when transporting or storing your outboard.**

# TRAILERING

When trailering your boat with the motor attached, keep the motor in the normal operating position unless there is not enough ground clearance. If you need more ground clearance, trailer the motor in a tilted position using a transom saver bar or similar device to support the weight of the motor.



## ***NOTICE***

If you use the tilt up lock arm to hold the motor in the fully tilted up position when trailering the boat, towing motion or poor road surfaces may cause unexpected tilt lock release, resulting in damage to the motor and the tilt lock mechanism.

Never use the tilt up lock arm to hold the motor in the fully tilted up position when trailering the boat. Use a transom saver bar or similar device to support the weight of the motor.

# INSPECTION AND MAINTENANCE

## NOTICE

MAINTENANCE, REPLACEMENT OR REPAIR OF EMISSION CONTROL DEVICES AND SYSTEMS MAY BE PERFORMED BY ANY MARINE SI ENGINE REPAIR ESTABLISHMENT OR INDIVIDUAL USING ANY PART WHICH HAS BEEN CERTIFIED UNDER THE PROVISIONS IN THE CLEAN AIR ACT Sec. 207 (a) (2).

## MAINTENANCE SCHEDULE

It is important to inspect and maintain your outboard motor regularly. Follow the chart below.

At each interval, be sure to perform the indicated service. Maintenance intervals should be judged by number of hours or number of months, whichever comes first.

### WARNING

**Exhaust gas contains carbon monoxide, a dangerous gas that is difficult to detect because it is colorless and odorless. Breathing carbon monoxide can cause death or severe injury.**

**Never start the engine or let it run indoors or where there is little or no ventilation.**

Interval Item to be serviced	Initial 20 hrs. or 1 month	Every 100 hrs. or 12 months	Every 200 hrs. or 12 months	Every 300 hrs. or 36 months
Spark plug	–	I	–	–
Breather & Fuel line	I	I	–	–
Engine oil	R	R	–	–
Gear oil	R	R	–	–
Lubrication	I	I	–	–
Anodes (external)	I	I	–	–
* Anodes (internal Powerhead)	–	I	–	–
Bonding wires	–	I	–	–
Battery	I	I	–	–
* Engine oil filter	R	–	R	–
* Low pressure fuel filter	I	I	–	–
Replace every 400 hours or 2 years.				
* Ignition timing	–	–	I	–
* Idle speed	I	–	I	–
* Valve clearance	–	–	–	I
* Water pump	–	–	I	–
* Water pump impeller	–	–	I	R
* Propeller nut & pin	I	I	–	–
* Bolts & Nuts	T	T	–	–

I: Inspect and clean, adjust, lubricate, or replace, if necessary T: Tighten R: Replace

### NOTE:

*Water-separating fuel filter*

*Replace the filter element every 12-months (or more frequently if recommended by the filter manufacturer).*

**▲ WARNING**

Improper maintenance or failure to perform recommended maintenance can be hazardous. Poor maintenance or lack of maintenance increases the chance of an accident or equipment damage.

Be sure to have maintenance performed according to the schedule in the above chart. Suzuki recommends that only your authorized Suzuki marine dealer or a qualified service mechanic perform maintenance on those items in the chart above which are marked with an asterisk (\*). You may perform maintenance on the unmarked items by referring to the instructions in this section if you have mechanical experience. If you are not sure whether you can successfully complete any of the unmarked maintenance jobs, ask your authorized Suzuki marine dealer to do the maintenance for you.

**▲ WARNING**

The safety of you and your passengers depends on how well you maintain your outboard motor.

Follow all inspection and maintenance instructions carefully. If you do not have prior mechanical experience, do not attempt to perform maintenance on your outboard motor. You could be injured or may damage the motor.

***NOTICE***

The maintenance intervals in the chart were established for normal usage of your outboard motor. If your outboard motor is used under severe conditions such as frequent full throttle operation or frequent operation in muddy, silty, sandy, acidic, or shallow water, you may need to perform maintenance more often than indicated in the chart. Failure to perform maintenance more frequently could result in damage.

Consult your authorized Suzuki marine dealer regarding appropriate maintenance intervals for your usage conditions. When replacing parts on your outboard motor, Suzuki strongly recommends that you use genuine Suzuki parts or their equivalent.

## SPARK PLUG

Your outboard motor comes equipped with the following "standard" spark plug for normal usage.

Standard spark plug	NGK BKR6E
---------------------	-----------

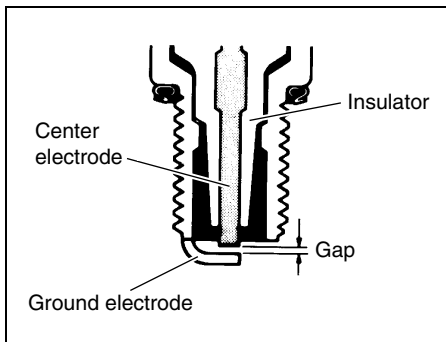
### NOTICE

Non-resistor types of spark plugs will interfere with the function of the electronic ignition, causing misfiring, or causing problems with other electronic boat equipment and accessories.

Use **ONLY** resistor type spark plugs in your outboard motor.

Your authorized Suzuki Marine Dealer can determine if the standard spark plug is suitable for your type of motor usage by inspecting the color of the plug's porcelain center electrode insulator after operation.

If the plug tends to run hot (usually evidenced by whitening of the insulator or a burnt electrode), stop using your motor immediately as severe engine damage may result. If the plug tends to run cold (usually evidenced by blackening of the insulator or a wet electrode), performance may suffer. Ask your authorized Suzuki Marine dealer to evaluate either of these problems to determine the cause.



### NOTICE

Use of improper spark plugs or improperly tightening spark plugs can cause severe engine damage.

- Do not experiment with other spark plug brands unless you can determine that they are directly equivalent to the specified brand, or you may experience engine damage which will not be covered under warranty. Note that aftermarket cross-reference charts may not be accurate.
- To install a spark plug; seat it as far as possible by hand, then use a wrench to tighten it to either the recommended torque setting or the specified rotation angle.

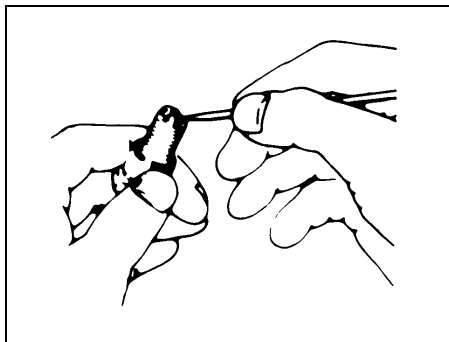
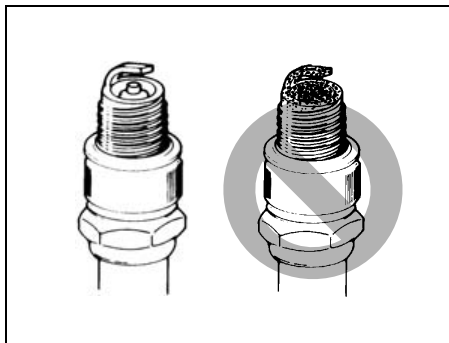
Tightening torque	
2.5 – 2.8 kg-m (18.1 – 20.0 lb-ft)	
Rotation angle	
New plug	1/2 – 3/4 of a turn
Re-use plug	1/12 – 1/8 of a turn

- Do not overtighten or cross-thread a spark plug, as this will damage the aluminum threads of the cylinder head.

To maintain a strong spark, you should clean and adjust the plug at the interval shown in the maintenance schedule.

Remove carbon deposits from the spark plug using a small wire brush or spark plug cleaner, and adjust the gap as follows:

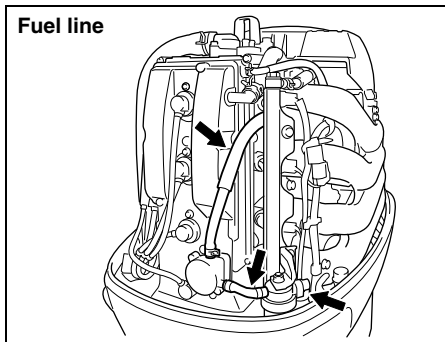
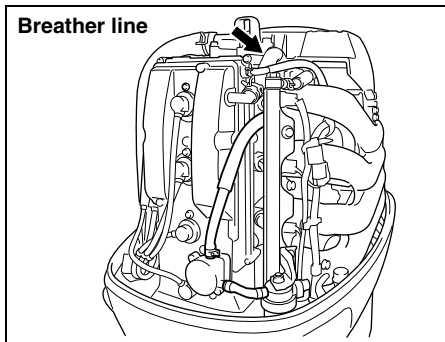
Spark plug gap	0.7 – 0.8 mm (0.028 – 0.031 in.)
----------------	-------------------------------------



If the electrode or insulator is damaged, or if either shows excessive wear, then the spark plug should be replaced.

## BREATHER AND FUEL LINE

Inspect the breather and fuel line for leaks, cracks, swelling, or other damage. If the breather and fuel line are damaged in any way, they must be replaced. Consult your authorized Suzuki Marine Dealer if it is necessary to replace them.



### **▲ WARNING**

**Fuel leakage can contribute to an explosion or fire, resulting in serious personal injury.**

**Have your authorized Suzuki marine dealer replace the fuel line if there is any evidence of leaking, cracking or swelling.**

## ENGINE OIL

### ⚠ WARNING

Never perform any ENGINE OIL procedure with the motor running, as serious injury can occur.

The motor must be shut off before any ENGINE OIL procedures are performed.

### NOTICE

Extended trolling can reduce oil life. Your engine may be damaged if you do not change engine oil more frequently under this type of use.

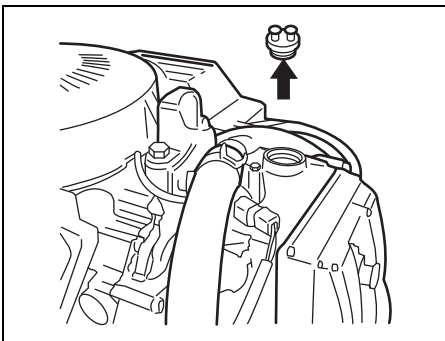
Change your engine oil more frequently if your engine is used for extended trolling.

### Engine oil change

The oil should be changed when engine is warm so that the oil will drain thoroughly from the engine.

To change the engine oil:

1. Place the motor in a vertical position and remove the motor cover.
2. Remove the oil filler cap.



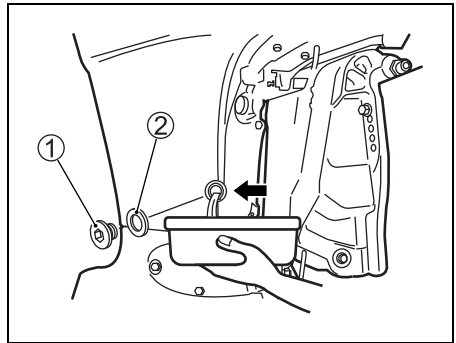
3. Place a drain pan under the engine oil drain screw.

### ⚠ CAUTION

The engine oil temperature may be high enough to burn your fingers when the drain plug is loosened.

Wait until the drain plug is cool enough to touch with bare hands before removing it.

4. Remove the engine oil drain screw ① and gasket ②, then let the engine oil drain.



5. After draining, secure the engine oil drain screw with a new gasket.

### NOTICE

A previously-used gasket may leak, resulting in engine damage.

Do not re-use gaskets. Be sure to always use new gaskets.

### NOTE:

There are spare gaskets in the tool bag.

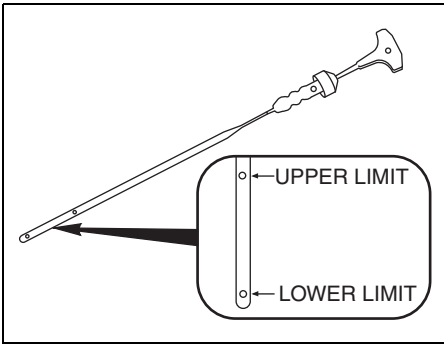
6. Fill with recommended engine oil to the upper level.

Oil capacity: 5.5 L (5.8/4.8 US/Imp. qt)

Engine oil: SAE (or NMMA FC-W) 10W-40  
API (or NMMA FC-W) Classification  
SG, SH, SJ, SL, SM



7. Check the engine oil level.



**NOTE:**

To avoid incorrect measurement of engine oil level, check oil level only when the engine has cooled.

8. Reinstall the oil filler cap.

**⚠ WARNING**

Engine oil can cause injury to people or pets. Repeated, prolonged contact with used engine oil may cause skin cancer. Even brief contact with used oil may irritate skin.

- Keep new and used oil away from children and pets.
- Wear a long-sleeve shirt and waterproof gloves when handling oil.
- Wash with soap if oil contacts your skin.
- Launder any clothing or rags that are wet with oil.

**NOTE:**

Recycle or properly dispose of used engine oil. Do not throw it in the trash, or pour it on the ground, down a drain, or into the water.

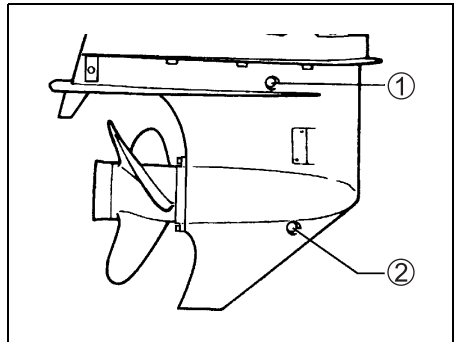
**GEAR OIL**

To check the gear oil level, adjust the engine to an upright position, remove the gear oil level plug ① and look into the hole. The oil level should be at the bottom edge of the hole. If the oil level is low, add the specified gear oil until the level reaches the bottom edge of the hole. Then, reinstall and tighten the plug.

Periodic gear oil replacement is essential for long life of your outboard motor.

To change the gear oil:

1. Make sure the motor is in an upright position. Place a drain pan under the lower casing.
2. Remove the gear oil drain plug ②, then remove the gear oil level plug ①.



3. After the oil has drained completely, inject the specified gear oil into the lower drain hole until it just starts to come out of the upper level hole. Approximately 1050 ml (35.5/37.0 US/Imp oz.) will be required.
4. Reinstall and tighten the gear oil level plug ①, then quickly reinstall and tighten the gear oil drain plug ②.

**NOTE:**

To avoid insufficient injection of gear oil, check the gear oil level 10 minutes after doing the procedure in the step 4. If the oil level is low, slowly inject the gear oil into the gear oil level hole ① up to the correct level.

**▲ WARNING**

**Gear oil can cause injury to people or pets. Repeated, prolonged contact with used gear oil may cause skin cancer. Even brief contact with used oil may irritate skin.**

- **Keep new and used oil away from children and pets.**
- **Wear a long-sleeve shirt and waterproof gloves when handling oil.**
- **Wash with soap if oil contacts your skin.**
- **Laundry any clothing or rags that are wet with oil.**

**NOTE:**

*Recycle or properly dispose of used gear oil. Do not throw it in the trash, or pour it on the ground, down a drain, or into the water.*

**NOTICE**

**If fishing line wraps around the rotating propeller shaft, the propeller shaft oil seal can become damaged and can allow water to enter the gear case causing severe damage.**

**If the gear oil has a milky color, it is contaminated with water. Immediately contact your authorized Suzuki marine dealer for advice. Do not operate your outboard until the oil is changed and the cause of the contamination is corrected.**

**LOW PRESSURE FUEL FILTER**

The low pressure fuel filter must be replaced by an authorized Suzuki Marine Dealer periodically.

Replace low pressure fuel filter at every 400 hours (2 years).

**▲ WARNING**

**Gasoline is extremely flammable and toxic. It can cause a fire and can be hazardous to people and pets.**

**Always take the following precautions when servicing the fuel filter:**

- **Stop the motor before cleaning the fuel filter.**
- **Be careful not to spill fuel. If you do, wipe it up immediately.**
- **Do not smoke, and keep away from open flames and sparks.**

**▲ WARNING**

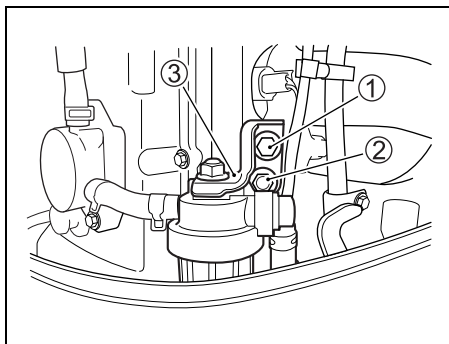
**Cleaning solvent is toxic and an irritant, and can cause injury to people and pets.**

**Keep solvent away from children and pets. Dispose of solvent properly when you are finished.**

Inspect and clean the fuel filter as follows:

1. Turn the engine off and allow it to cool.
2. Make sure that the ignition key is in the OFF position.

- Remove the bolt ① and nut ② securing the bracket ③ of the fuel filter.

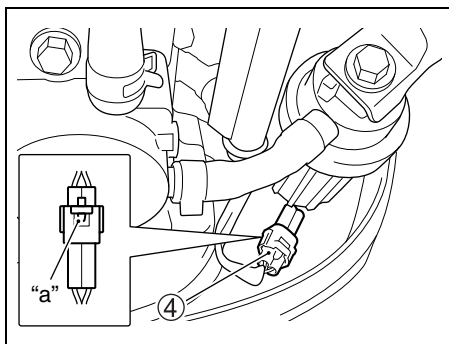


### NOTICE

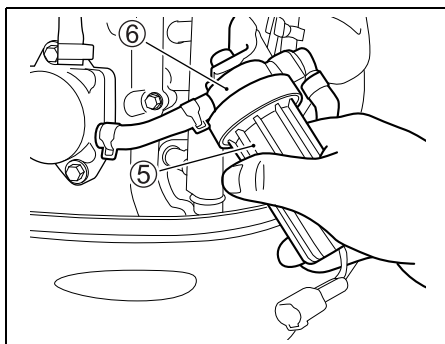
Improperly loosening the filter cup can cause sensor lead wire damage.

- Be careful not to twist the sensor lead wire when removing the filter cup.
- Disconnect the lead wire connector before removing the filter cup.

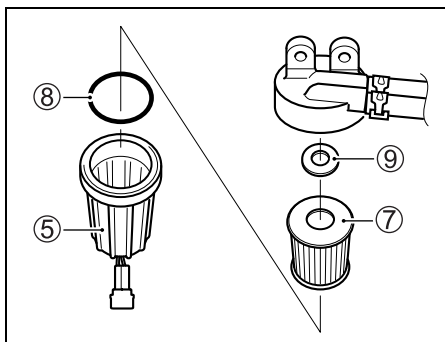
- Push the connector lock tab "a", then disconnect the water sensor lead wire connector ④.



- Place a rag under the filter before removal to catch any spilled fuel.
- Separate the filter cup ⑤ from the cap ⑥ by turning the filter cup counterclockwise.



- Drain the fuel and water in the filter cup into a suitable container.
- Pull out the filter element ⑦. Inspect the filter element ⑦, O-ring ⑧ and seal ring ⑨ for damage. If they are damaged, replace them.



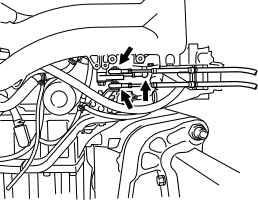
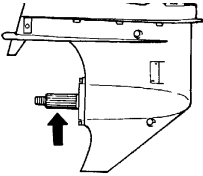
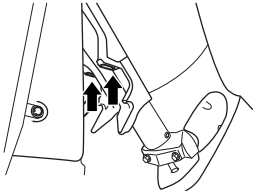
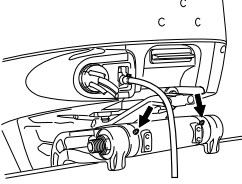
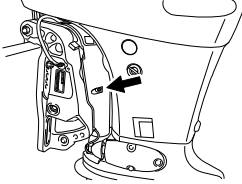
- Wash the filter element with clean solvent and dry it.
- Reinstall the seal ring and filter element in their original positions.
- Verify that the O-ring is in place in the top of the filter cup and screw the filter cup back into place.
- Connect the water sensor lead wire connector ④.
- Reinstall the fuel filter with bracket by securing the bolt and nut.
- Restart the engine and check that there are no leaks around the fuel filter.

### NOTE:

If any water exists in the fuel filter cup, remove the cup and drain the water. Always dispose of excess fuel safely. For questions, consult your authorized Suzuki marine dealer.

## LUBRICATION

Proper lubrication is important for the safe, smooth operation and long life of each working part of your outboard motor. The following chart shows the lubrication points of your motor and the recommended lubricant:

LOCATION	LUBRICANT
 <p data-bbox="109 486 315 510">Throttle/Shift linkage</p>	<p data-bbox="364 593 515 670">Marine-grade water resistant grease</p>
 <p data-bbox="140 726 285 750">Propeller shaft</p>	
 <p data-bbox="95 965 330 989">Trim ram pad (DF140A)</p>	
 <p data-bbox="140 1204 285 1228">Swivel bracket</p>	<p data-bbox="364 1184 515 1284">Marine-grade water resistant grease (Grease Gun)</p>
 <p data-bbox="128 1436 296 1460">Steering bracket</p>	

### NOTE:

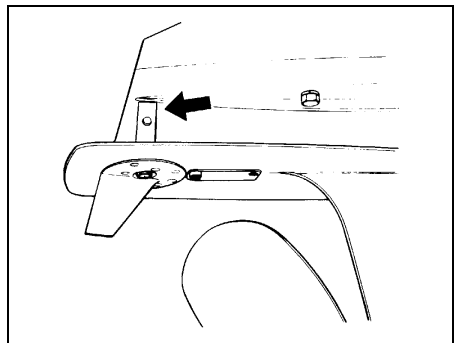
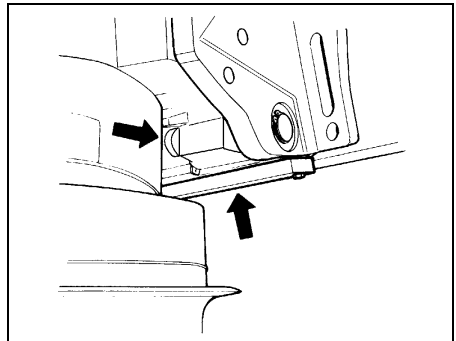
*Before applying grease through the steering bracket grease nipple, lock the motor in the fully tilted up position.*

Your authorized Suzuki Marine Dealer may also have additional recommendations due to regional climate or operating conditions. Please consult him for advice.

## CORROSION PREVENTION ANODES

The motor is protected from exterior corrosion by anodes. These anodes control electrolysis and help prevent corrosion. The anodes will corrode in place of the parts they are protecting. You should periodically inspect each of the anodes and replace them when 2/3 of the metal has corroded away.

In certain areas of the country, the water is unusually harsh on metal. Additional anti-corrosion measures may be helpful under those conditions. Consult your authorized Suzuki Marine Dealer for details.



## NOTICE

If anodes are not properly maintained, underwater aluminum surfaces (such as the lower unit) will suffer galvanic corrosion damage.

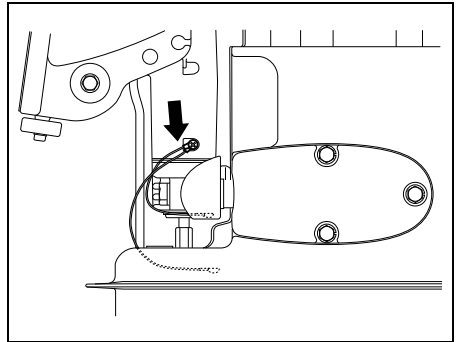
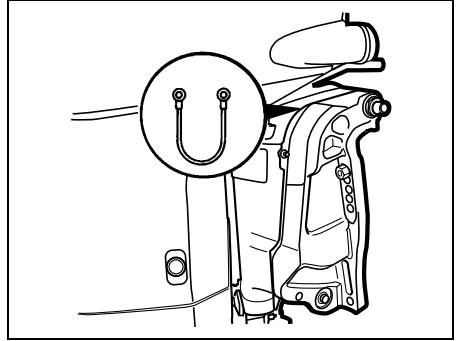
- Periodically inspect anodes to make sure they have not become detached.
- Do not paint anodes, as this will render them ineffective.
- Periodically clean anodes with a wire brush to remove any coating which might decrease their protective ability.

### NOTE:

Consult your authorized Suzuki Marine Dealer for inspection and replacement of internal anodes attached to the powerhead.

## BONDING WIRES

Bonding wires are used to electrically connect the engine components so they exist in a common ground circuit. This allows them to be protected against electrolysis by the anodes. These wires and their terminals should be checked periodically to be sure they have not been damaged.



## BATTERY

If you are using a maintenance-free battery, inspect the window area according to the instructions on the battery to make sure the battery is in good condition.

If you are not using a maintenance-free battery, the battery fluid level should be checked every 100 hours of operation or 12 months. The battery solution level must be kept between the MAX and the MIN level lines at all times. If the level drops below the MIN level line, add DISTILLED WATER ONLY until the battery solution level reaches the MAX level line.

### WARNING

**Battery acid is poisonous and corrosive, and can cause severe injury.**

**Avoid contact with eyes, skin, clothing, and painted surfaces. If battery acid comes in contact with any of these, flush immediately with large amounts of water. If acid contacts the eyes or skin, get immediate medical attention.**

### WARNING

**If you are not careful when checking or servicing the battery, you can cause a short circuit, which could result in an explosion, fire, or circuit damage.**

**Disconnect the negative (black) cable when checking or servicing the battery. Be careful not to allow a metal tool or other metal object to touch the battery's positive terminal and the motor at the same time.**

### WARNING

**Battery posts, terminals, and related accessories contain lead and lead compounds that may be hazardous.**

**Wash hands after handling.**

## NOTICE

**If you add diluted sulphuric acid to the battery after it has been initially serviced, you will damage the battery.**

**NEVER add diluted sulphuric acid to the battery after it has been initially serviced. Follow the battery manufacturer's instructions for specific maintenance procedures.**

## ENGINE OIL FILTER

The engine oil filter must be changed by authorized Suzuki Marine Dealer periodically. Replace engine oil filter with a new one at initial 20 hours (1 month).

Replace engine oil filter with a new one at every 200 hours (12 months).

# FLUSHING THE WATER PASSAGES

After operation in muddy, brackish, or salt water, you should flush the water passages and motor surface with clean, fresh water.

If you do not flush the water passages, salt can corrode the motor and shorten its life. Flush the water passages as follows.

## ENGINE RUNNING – Vertical position –

Suzuki recommends that you flush the water passage by using this method.

To flush the water passages, you must obtain a commercially available engine flush device.

### ▲ WARNING

Exhaust gas contains carbon monoxide, a dangerous gas that is difficult to detect because it is colorless and odorless. Breathing carbon monoxide can cause death or severe injury.

Never start the engine or let it run indoors or where there is little or no ventilation.

### ▲ WARNING

Failure to take proper precautions when flushing the water passages can be hazardous.

When flushing the water passages, always take the following precautions:

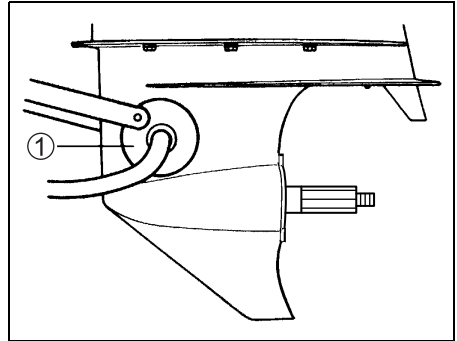
- Make sure that the engine remains in NEUTRAL. If shifted into gear, the propeller shaft will turn and could cause severe personal injury.
- Make sure the motor is properly clamped to a secure stand or boat, and remain in attendance until flushing is completed.
- Keep children and pets away from the area, and stay clear of all moving parts.

## NOTICE

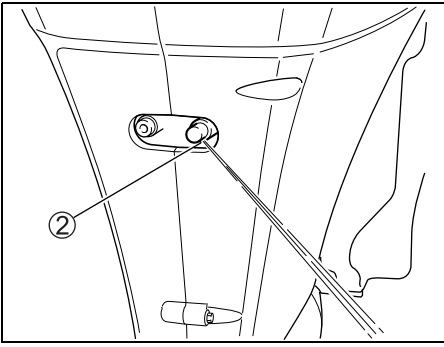
**Severe engine damage can occur in as little as 15 seconds if the engine is started without supplying water to the cooling system.**

**Never start the motor without supplying water to the cooling system.**

1. Install the flushing attachment ① so that the water intake holes are covered by the rubber cups on the attachment.
2. Connect a garden hose to the flushing attachment and turn on the water to obtain enough flow so that plenty of excess water is flowing out from around the rubber cups on the attachment.



3. Place the remote control handle in the "NEUTRAL" position with the propeller removed and start the motor. As soon as the engine starts, water should spray out of the pilot water hole ②, indicating proper water pump operation. If no water spray is evident, stop the motor immediately and consult your dealer.

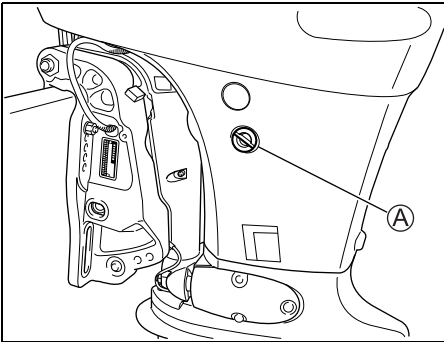


4. Allow the engine to run only at idle speed while flushing. Readjust the water flow, if necessary, so that there is still plenty of excess water flowing out from around the rubber cups.
5. Allow the water to continue circulating for a few minutes.
6. Stop the motor, then turn off the water.
7. Remove the flushing attachment from the water intake hole.
8. Clean the motor surface and apply a coat of automotive wax on the external finish of the motor.

## ENGINE NOT RUNNING

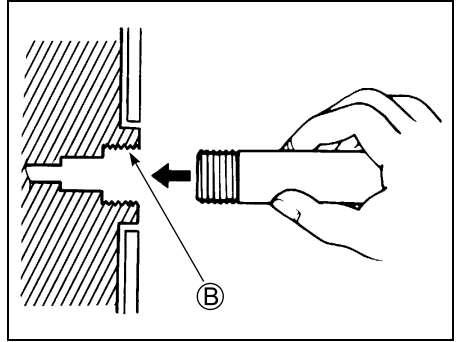
### – Vertical position –

1. Remove the plug **A** from the flushing port.



2. Install garden hose directly or by using a hose connector matched to flushing point thread **B**.

Thread **B**: 0.75 – 11.5 NHR (American standard hose coupling threads for garden hose applications.)



3. Turn on the water to obtain a good water flow. Flush the engine for about five minutes.
4. Turn off the water.
5. Remove the hose and connector (if used) then reinstall the plug into the flushing port.
6. Leave the motor in a vertical position until the engine is drained completely.

## ENGINE NOT RUNNING

### – Full tilt up position –

1. Raise the engine to the full tilt up position.
2. Follow the “ENGINE NOT RUNNING – Vertical position” instructions.  
**DO NOT RUN ENGINE IN THE FULL TILT UP POSITION.**
3. Lower the motor to a vertical position until the engine is drained completely.



# SUBMERGED MOTOR

If your motor has been accidentally submerged in water, it must receive a special repair service as soon as possible to prevent corrosion. If possible, have a qualified marine dealer service the engine. If immediate servicing is not available, take the following steps to help protect your motor. In the event that your motor is accidentally submerged, take the following steps:

1. Get the motor out of the water as soon as possible.
2. Remove the motor cover and immediately wash the engine thoroughly with fresh water to completely remove all salt, mud, and seaweed.
3. Remove the spark plugs. Drain the water from the cylinders through the spark plug holes by manually turning the flywheel several times.
4. Check if any water is evident in the engine oil. If water is seen, remove the oil drain plug and drain the oil. After draining, tighten the oil drain plug.
5. Drain the fuel line and all filters.

## **WARNING**

**Gasoline is extremely flammable and toxic. It can cause a fire and can be hazardous to people and pets.**

**Keep flames and sparks away from gasoline. Dispose of unwanted fuel properly.**

6. Pour one tablespoon of engine oil in through each spark plug hole. Coat the engine inner parts with oil by manually turning the flywheel several times. Don't use the electric starter, as this may bend the connecting rods.

## **NOTICE**

**Severe engine damage may occur if you continue cranking the engine when you encounter friction or resistance.**

**If you encounter friction or resistance while cranking the engine, stop at once and do not attempt to start the engine until you find and correct the problem.**

7. Have your authorized Suzuki marine dealer inspect the engine as soon as possible.

## **NOTICE**

**If the fuel supply is contaminated with water, engine damage may occur.**

**If the boat's fuel tank filler and vent were submerged, inspect the fuel supply to make sure it is not contaminated with water.**

# STORAGE PROCEDURE

## MOTOR STORAGE

When storing your motor for a long period of time (for example, at the end of the boating season), it is recommended that you take your motor to your authorized Suzuki Marine Dealer. However, if you choose to prepare the motor for storage yourself, follow the procedure outlined below:

1. Change the gear oil as outlined in the GEAR OIL section.
2. Change the engine oil as outlined in the ENGINE OIL section.
3. Fill a high quality fuel stabilizer to the fuel tank according to the instructions on the stabilizer can.
4. Flush the water passages in the motor thoroughly. Refer to the FLUSHING THE WATER PASSAGES (Engine running) section.
5. Readjust the water flow, run the engine at about 1500 r/min in neutral for five minutes to distribute the stabilized fuel through the engine.
6. Stop the engine. Then turn off the water and disconnect the flushing attachment.

7. Lubricate all other specified parts. Refer to the LUBRICATION section. Spray entire powerhead with a rust preventative (not a penetrating oil product).
8. Apply a coat of automotive wax on the external finish of the motor. If paint damage is evident, apply touch up paint before waxing.
9. Store the motor in an upright position in a dry, well-ventilated area. Select an area with constant temperature to avoid corrosion caused by condensation. Do not store next to furnaces, heaters, etc.

### **WARNING**

**When the engine is running, there are many moving parts that could cause severe personal injury.**

**When the engine is running, keep your hands, hair, clothing, etc., away from the engine.**

### **NOTICE**

**Severe engine damage can occur in as little as 15 seconds if the engine is started without supplying water to the cooling system.**

**Never start the motor without supplying water to the cooling system.**

## BATTERY STORAGE

1. When the outboard motor will not be used for a month or longer, remove the battery and store it in a cool, dark place. Do not set battery on concrete or earth, as this will accelerate loss of charge.
2. Wash the casing and terminals using fresh water only, then dry with clean cloth.
3. Fully charge the battery. If the battery will be stored for a long period of time, check the specific gravity of the fluid at least once a month and recharge the battery when the charge is low.

### **WARNING**

**Failure to take proper precautions when charging the battery can be hazardous. Batteries produce explosive vapors that can ignite. Battery acid is poisonous and corrosive, and can cause severe injury.**

- **Do not smoke and keep battery away from open flames and sparks.**
- **To avoid creating a spark when charging the battery, connect the battery charger cables to the proper terminals before turning the charger on.**
- **Handle the battery with extreme care and avoid skin contact with battery acid.**
- **Wear proper protective clothing (Safety glasses, gloves, etc.)**

## AFTER STORAGE

When taking your motor out of storage, follow the procedure below to return it to operating condition:

1. Thoroughly clean the spark plugs. Replace them if necessary.
2. Check the gear-case oil level and if necessary, add gear oil according to the procedure outlined in the GEAR OIL section.
3. Lubricate all moving parts according to the LUBRICATION section.
4. Check the engine oil level.
5. Clean the motor and wax the painted surfaces.
6. Recharge the battery before installing it.

## GENERAL INFORMATION

### WARRANTIES (For U.S.A)

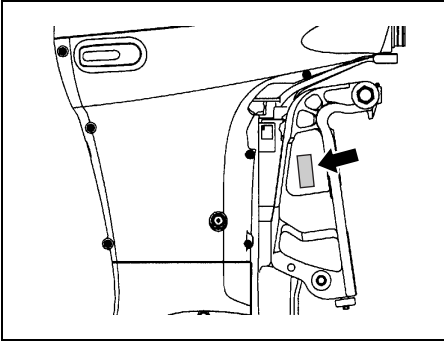
The warranties covering your outboard motor are explained in a separate Limited Warranty booklet given to you at the time of sale. Please read this booklet carefully so you can understand your rights and responsibilities.

## IDENTIFICATION NUMBER LOCATION

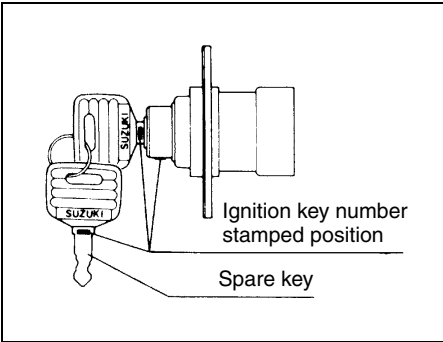
The model and identification numbers of your outboard motor are stamped on a plate attached to the clamp bracket. Record these numbers below for future reference. It is important to know these numbers when you place a parts order or if your motor is stolen.

Model Number:

Identification Number:



Ignition Key Number:



## EMISSION CONTROL INFORMATION

### NOTICE

- THIS ENGINE IS CERTIFIED TO OPERATE ON UNLEADED GASOLINE OF 87 OCTANE ((R+M)/2 METHOD) OR GREATER.
- EXHAUST EMISSION CONTROL SYSTEM:  
ECM, MFI, HO2S

# TROUBLESHOOTING

This troubleshooting guide is provided to help you find the cause of common complaints.

## NOTICE

**Failure to troubleshoot a problem correctly can damage your outboard motor. Improper repairs or adjustments may damage the outboard motor instead of fixing it. Such damage may not be covered under warranty.**

**If you are not sure about the proper action to correct a problem, consult your Suzuki marine dealer.**

### Starter motor will not operate:

- Shift lever is not in NEUTRAL.
- Fuse is blown out.
- Emergency stop switch lock plate is not in position.

### Engine will not start (hard to start):

- Fuel tank is empty.
- Fuel hose is not properly connected to engine.
- Fuel hose is kinked or pinched.
- Spark plug is fouled.

### Engine idles unstably or stalls:

- Fuel hose is kinked or pinched.
- Spark plug is fouled.

### Engine speed will not increase (Engine power is low):

- Engine is overloaded.
- Caution/Diagnosis system is activated.
- Propeller is damaged.
- Propeller is not properly matched to loads.

### Engine vibrates excessively:

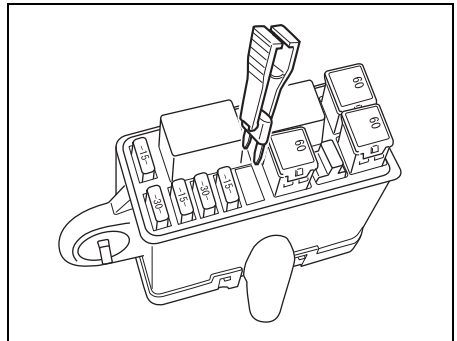
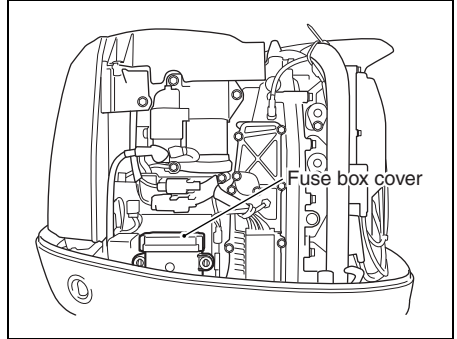
- Engine mounting bolts or clamp screws are loose.
- Foreign object (seaweed etc.) is tangled on propeller.
- Propeller is damaged.

### Engine overheats:

- Cooling water intake(s) are blocked.
- Engine is overloaded.
- Propeller is not properly matched to loads.

### FUSE

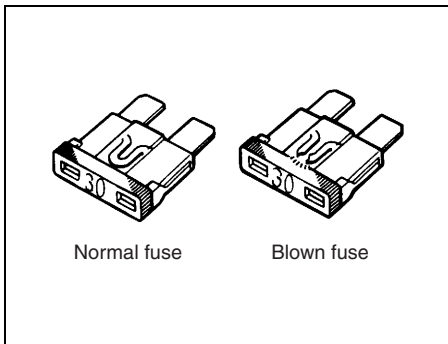
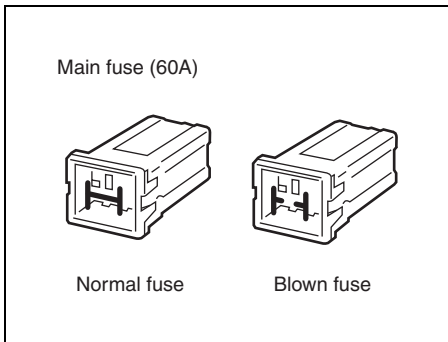
1. Turn the ignition key to the "off" position.
2. Remove the motor cover.
3. Remove the fuse box cover and pull off the fuse.



**NOTE:**

Use the fuse puller at the back of fuse box cover, when the fuse is pulled off and installed.

4. Inspect the fuse and replace with new fuse if needed.



**NOTE:**

If a fuse is blown, try to determine the root cause and correct it.

If the cause is not corrected, the fuse may be blown again.

**▲ WARNING**

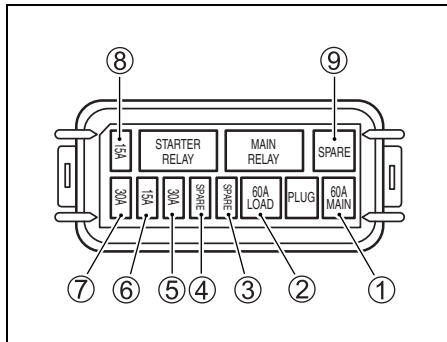
If you replace a blown fuse with a fuse having a different amperage rating or with a substitute such as aluminum foil or a wire, extensive electrical system damage and a fire may result.

Always replace a blown fuse with a fuse of the same type and rating.

**NOTICE**

If a new fuse blows in a short time after installation, you may have a major electrical system problem.

Consult your SUZUKI marine dealer.



- ① Main fuse: 60A
- ② Load fuse: 60A
- ③ Spare fuse: 30A
- ④ Spare fuse: 15A
- ⑤ Starter motor relay fuse: 30A
- ⑥ PTT switch fuse: 15A
- ⑦ Ignition coil/Injector/ECM/IAC fuse: 30A
- ⑧ Fuel pump fuse: 15A
- ⑨ Spare fuse: 60A

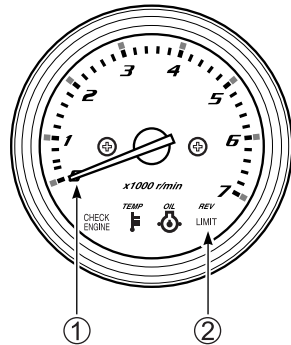
# SPECIFICATIONS

Item	DF100A	DF115A	DF140A
Engine Type	4 Stroke		
Number of Cylinders	4		
Bore and Stroke	86.0 × 88.0 mm (3.39 × 3.46 in.)		
Piston Displacement	2044 cm <sup>3</sup> (124.7 cu. in.)		
Maximum output	73.6 kW (100PS)	84.6 kW (115PS)	103.0 kW (140PS)
Full Throttle Operating Range	5000 – 6000 r/min. (min <sup>-1</sup> )	5000 – 6000 r/min. (min <sup>-1</sup> )	5600 – 6200 r/min. (min <sup>-1</sup> )
Idle speed (in Neutral)	700 ± 50 r/min. (min <sup>-1</sup> )		
Ignition System	Full-transistor		
Engine Lubrication	Trochoid pump pressure lubrication		
Engine Oil Capacity	5.5 L (5.8/4.8 US/Imp qt)		

Power rated in accordance with NMMA procedure.

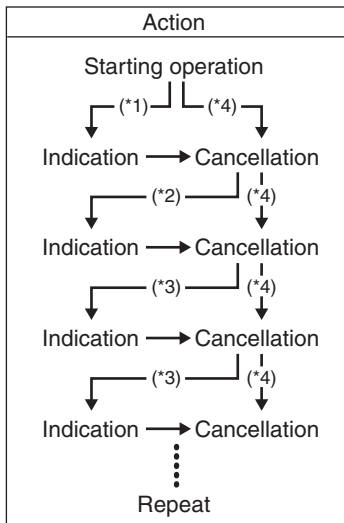
# CHART OF TOTAL OPERATING HOURS INDICATION

Total operating hours	MONITOR-TACHOMETER	
	Needle ① indication	REV-LIMIT lamp ② flashing *
0h-(49h)	No	No
50h-	500rpm	No
60h-	600rpm	No
⋮	⋮	⋮
⋮	⋮	⋮
540h-	5400rpm	No
550h-	500rpm	1 time
560h-	600rpm	1 time
⋮	⋮	⋮
⋮	⋮	⋮
1040h-	5400rpm	1 time
1050h-	500rpm	2 times
⋮	⋮	⋮
⋮	⋮	⋮
1540h-	5400rpm	2 times
1550h-	500rpm	3 times
⋮	⋮	⋮
⋮	⋮	⋮
2030h-	5300rpm	3 times
2040h or over	5400rpm	3 times



\*: One flashing is corresponded to 500 hours.

# FLOWCHART OF OIL CHANGE REMINDER SYSTEM



\*1: Lapse of initial 20 hour's operation

\*2: Lapse of 80 hour's operation

\*3: Lapse of 100 hour's operation

\*4: When performing cancellation before system activation

**NOTE:**

*This system will activate up to 2100 hour's operation.*



**DF100A**

**DF115A**

**DF140A**

**F**

# **MANUEL DU PROPRIÉTAIRE**

# IMPORTANT

## ▲ AVERTISSEMENT/ ▲ ATTENTION/AVIS/NOTE

Prière de lire ce manuel et de suivre attentivement ses instructions. Pour mettre en valeur des informations spéciales, le symbole ▲ et les mots **AVERTISSEMENT, ATTENTION, AVIS** et **NOTE** ont des significations spéciales. Faire très attention aux messages mis en valeur par ces mots signaux.

### ▲ AVERTISSEMENT

Indique un danger potentiel qui peut entraîner des blessures graves ou la mort.

### ▲ ATTENTION

Indique un danger potentiel qui peut entraîner des blessures légères ou plus sérieuses.

### AVIS

Indique un danger potentiel qui peut entraîner des dommages au moteur ou au bateau.

#### NOTE:

Indique des instructions spéciales pour faciliter la maintenance ou expliquer les instructions avec précision.

## INFORMATIONS CONCERNANT LE RODAGE DU MOTEUR HORS-BORD

Les premières dix heures de vie de ce moteur sont les plus importantes. Une utilisation appropriée est essentielle pendant cette période de rodage pour garantir une durée de vie et des performances optimales.

Pour tout ce qui concerne les recommandations spéciales de rodage, voir la section RODAGE de ce manuel.

## RECOMMANDATIONS IMPORTANTES À L'INTENTION DES PROPRIÉTAIRES

### ▲ AVERTISSEMENT

Tout manquement au respect des précautions adéquates peut augmenter le risque d'accident mortel ou de blessures graves pour le pilote et ses passager.

- Avant d'utiliser votre moteur hors-bord pour la première fois, se familiariser avec le contenu de ce manuel de l'utilisateur. Bien comprendre toutes les caractéristiques du moteur et toutes les conditions de sécurité et d'entretien.
- Vérifier le bateau et le moteur avant chaque sortie. Se référer à la section **CONTRÔLE AVANT L'UTILISATION** pour les points de contrôle importants.
- Bien se familiariser avec toutes les caractéristiques de commande et de manoeuvre du bateau et du moteur. S'entraîner à petite vitesse et à vitesse moyenne jusqu'à maîtrise complète de la manoeuvre du bateau et du moteur. Ne jamais utiliser le moteur hors-bord à vitesse maximale avant de s'être complètement familiarisé avec toutes ces caractéristiques.
- S'assurer que l'équipement de sécurité et de secours se trouve à bord. Cet équipement important comprend; gilet de sauvetage pour chaque passager (plus une bouée gonflable si le bateau mesure 5 mètres ou plus), extincteur, dispositif de signalisation sonore, signaux de détresse visuels, ancre, pompe de cale, seau, boussole, corde de secours pour le lanceur, réserve de carburant et d'huile, trousse de premiers secours, lampe de poche, eau et provisions, miroir, rames, trousse à outils et poste de radio à transistors. Bien vérifier que tout l'équipement approprié se trouve à bord avant de prendre le large.

- Ne jamais lancer le moteur ou le faire tourner dans un endroit clos ou dans un endroit non ou faiblement aéré. Les gaz d'échappement contiennent du monoxyde de carbone, un gaz incolore et inodore pouvant entraîner la mort ou des blessures graves.
- Montrer aux passagers comment manoeuvrer le bateau, comment procéder en cas d'urgence et comment utiliser l'équipement de sécurité et de secours.
- Ne pas se retenir au capot du moteur ou toute autre pièce du moteur hors-bord pour monter à bord ou pour descendre.
- Vérifier que tous les passagers à bord ont revêtu leur gilet de sauvetage.
- Ne jamais utiliser un bateau quand on est sous l'influence d'alcool, de médicaments ou de narcotiques.
- Distribuer le poids de manière uniforme sur le bateau.
- Procéder à toutes les opérations d'entretien au moment prévu. Contacter le concessionnaire de moteurs hors-bord agréé Suzuki si nécessaire.
- Ne jamais modifier ou déposer une partie quelconque du moteur hors-bord. Le moteur risque alors de présenter un danger à l'utilisation.
- Bien s'informer et respecter toutes les règles de navigation en vigueur.
- Bien respecter les prévisions météorologiques. Ne pas sortir si le temps n'est pas favorable.
- Prendre toutes les précautions nécessaires à l'achat de pièces de rechange ou d'accessoires. Suzuki conseille vivement de n'utiliser que des pièces de rechange ou des accessoires Suzuki d'origine ou équivalent. Des pièces de rechange ou des accessoires non appropriés ou de mauvaise qualité risquent de mener à des conditions de fonctionnement dangereuses.

**NOTE:**

*L'antenne de l'émetteur radio ou de l'équipement de navigation montée trop près du capot du moteur peut provoquer des parasites. Suzuki recommande que l'antenne soit installée à au moins un mètre du capot du moteur.*

**Ce manuel doit être considéré comme faisant partie du moteur hors-bord et doit accompagner ce moteur si celui-ci est revendu ou remis à un nouveau propriétaire ou utilisateur. Lire attentivement ce manuel avant d'utiliser ce nouveau Suzuki et le consulter de temps à autre. Il contient des informations importantes concernant la sécurité, l'utilisation et l'entretien.**

# AVANT-PROPOS

Ce manuel contient les instructions d'entretien et de maintenance du moteur hors-bord. Se conformer strictement à ces instructions pour assurer une longue durée de vie au moteur et l'absence de problèmes. Ce moteur hors-bord est par ailleurs conforme aux règles de l'Agence Américaine pour la Protection de l'Environnement (EPA) relatives aux émissions applicables aux moteurs hors-bord neufs. Un réglage approprié des composants doit être effectué pour mettre ce moteur aux normes des règlement de l'EPA. Il est donc important de se conformer soigneusement aux instructions d'entretien pour garantir la conformité des émissions. Les concessionnaires Suzuki emploient des techniciens expérimentés dûment formés et dotés de l'outillage et de l'équipement appropriés pour assurer le meilleur entretien possible des moteurs hors-bord.

Toutes les informations données dans ce manuel sont basées sur les plus récentes informations de produit disponibles au moment de la publication. Du fait d'améliorations ou autres modifications, il peut y avoir des différences entre ce manuel et votre moteur hors-bord. Suzuki se réserve le droit de procéder à tout moment et sans préavis à des changements dans la production, sans obligation de procéder aux mêmes changements ou a des changements similaires sur les moteurs hors-bord pré-laboremment construits ou vendus.

## PROTÉGEZ LA NATURE

Protégez et préservez votre domaine de navigation et son accès terrestre. Ne jamais polluer les eaux ou la terre avec de l'huile, du carburant ou d'autres produits dangereux. Toujours s'assurer par exemple de la mise au rebut appropriée de l'huile pour engrenages après une vidange d'huile. Attention également aux immondices. Un simple effort permettra de conserver les domaines de navigation à long terme.

Suzuki Motor Corporation supporte la conservation et la protection des ressources naturelles de la terre.

A cet effet, nous encourageons tous les propriétaires de moteurs hors-bord à recycler, échanger ou mettre correctement au rebut les huiles et les batteries usagées.

## SUIVRE UN COURS DE SÉCURITÉ EN MER

Un navigateur éduqué aura plus de plaisir à naviguer et il le fera dans de meilleures conditions de sécurité. Il est conseillé de suivre un cours de sécurité de navigation.

Aux Etats-Unis, les gardes côtes et l'U.S. Power Squadron, ainsi que diverses agences de la Croix Rouge, proposent des cours de code de la mer détaillant l'équipement nécessaire et conseillé sur les petits bateaux. Pour toute information sur ces cours, appeler le numéro vert 1-800-336-BOAT (2628).

Le département d'état américain de la navigation et les concessionnaires de moteur hors-bord Suzuki peuvent fournir toutes les informations supplémentaires nécessaires concernant la sécurité et la réglementation de la navigation. Il est également possible de se renseigner auprès des gardes côtes en appelant le 1-800-368-5647.

## Mis en garde de la Propostion 65 de l'état de Californie

### ▲ AVERTISSEMENT

**Les gaz d'échappement, certains de leurs constituants et certains composants contiennent ou émettent des produits chimiques qui, à la connaissance de l'Etat de Californie, peuvent entraîner des cancers ou des malformations de naissance et autres problèmes.**

# TABLE DES MATIÈRES

CARBURANT ET HUILE.....	6
CARBURANT .....	6
PLEIN DU RÉSERVOIR DE CARBURANT .....	7
HUILE-MOTEUR .....	9
HUILE POUR ENGRENAGES .....	9
EMPLACEMENT DES ÉTIQUETTES DE SÉCURITÉ .....	10
EMPLACEMENT DES PIÈCES .....	12
INSTALLATION DU MOTEUR.....	13
MISE EN PLACE DE LA BATTERIE .	14
TYPE DE BATTERIE .....	14
MISE EN PLACE DE LA BATTERIE....	14
UTILISATION D'ACCESSOIRES ÉLECTRIQUES .....	15
CHOIX ET MONTAGE DE L'HÉLICE.....	16
CHOIX DE L'HÉLICE .....	16
MONTAGE DE L'HÉLICE .....	16
RÉGLAGES .....	17
RÉGLAGE DE L'ANGLE D'INCLINAISON.....	17
RÉGLAGE DE LA DERIVE ORIENTABLE .....	18
RÉGLAGE DE LA RIGIDITÉ DE L'ACCELERATEUR.....	19
RÉGLAGE DE RÉGIME DE RALENTI....	19
RÉGLAGE DE LA POSITION LIMITE SUPERIEURE D'INCLINAISON .....	19
RÉGLAGE DE LA FIXATION DU CAPOT DU MOTEUR .....	21
SYSTÈME DE SIGNALISATION .....	21
VÉRIFICATION DES TÉMOINS.....	22
SYSTÈME DE SIGNALISATION DE VITESSE.....	22
SYSTÈME INDICATEUR DE PRESSION D'HUILE.....	23
SYSTÈME DE SIGNALISATION DE L'EAU DE REFROIDISSEMENT .....	24
SYSTÈME DE SIGNALISATION DE TENSION DE BATTERIE .....	25
SYSTÈME DE DIAGNOSTIC .....	26
SYSTÈME DE RAPPEL DE VIDANGE D'HUILE .....	26
ACTIVATION DU SYSTÈME .....	26
DESACTIVATION .....	26
SYSTÈME D'ALARME DE CALAGE DU MOTEUR .....	27
EAU DANS LE SYSTÈME D'ALERTE DE CARBURANT.....	27
UTILISATION DU SYSTÈME DE RELEVAGE .....	28
INCLINAISON ET RELEVAGE ASSISTÉS .....	28
INCLINAISON MANUELLE .....	28
LEVIER DE RELEVAGE .....	29

CONTRÔLE AVANT L'UTILISATION...	30
RODAGE.....	32
UTILISATION.....	33
AVANT D'ESSAYER DE METTRE LE MOTEUR EN MARCHÉ.....	33
MISE EN MARCHÉ DU MOTEUR .....	35
INVERSION DE MARCHÉ ET COMMANDE DE LA VITESSE .....	37
ARRÊT DU MOTEUR.....	38
AMARRAGE.....	39
UTILISATION EN EAU PEU PROFONDE .....	40
FONCTIONNEMENT EN MODE PÊCHE À LA TRAÎNE.....	40
PRÉCAUTIONS À SUIVRE EN EAU DE MER.....	41
UTILISATION PAR TEMPS FROID ....	41
DÉPOSE ET TRANSPORT DU MOTEUR .....	42
DÉPOSE DU MOTEUR.....	42
TRANSPORT DU MOTEUR.....	42
REMRORQUAGE .....	44
CONTRÔLE ET ENTRETIEN .....	45
PLAN D'ENTRETIEN .....	45
BOUGIE.....	47
RENIFLARD ET CONDUITE D'ALIMENTATION .....	48
HUILE DU MOTEUR .....	49
HUILE DU CARTER D'ENGRENAGES....	50
FILTRE À CARBURANT BASSE PRESSION .....	51
GRAISSAGE .....	53
PROTECTION CONTRE LA CORROSION.....	54
ANODES.....	54
FILS DE MASSE .....	54
BATTERIE .....	55
FILTRE À HUILE MOTEUR .....	56
RINÇAGE DES PASSAGES D'EAU ..	56
MOTEUR IMMERGÉ.....	59
PROCÉDURE DE REMISAGE.....	60
REMISAGE DU MOTEUR.....	60
REMISAGE DE LA BATTERIE.....	60
APRÈS LE REMISAGE .....	61
INFORMATIONS GÉNÉRALES.....	61
GARANTIE (ÉTATS-UNIS).....	61
EMPLACEMENT DES NUMÉROS D'IDENTIFICATION .....	61
INFORMATIONS CONCERNANT LA RÉGULATION DES ÉMISSIONS .....	62
DÉPANNAGE .....	62
CARACTÉRISTIQUES.....	64
TABLEAU D'INDICATION DU NOMBRE TOTAL D'HEURES DE SERVICE .....	65
PRINCIPE DU SYSTÈME DE RAPPEL DE VIDANGE D'HUILE.....	65

# CARBURANT ET HUILE

## CARBURANT

Suzuki recommande l'utilisation, dans toute la mesure du possible, d'une essence sans plomb et sans alcool d'un indice d'octane minimum de 87 (méthode de (R+M)/2). Dans certaines régions, les seuls carburants disponibles sont des carburants oxygénés. Il est possible d'utiliser de tels carburants avec ce moteur hors-bord dans le cadre de la garantie limitée accordée aux moteurs hors-bord neufs, si ces carburants ont un indice d'octane approprié et s'ils sont conformes aux conditions stipulées ci-après.

### AVIS

**Si de l'essence au plomb est utilisée, le moteur risque d'être endommagé. L'emploi d'un carburant incorrect ou de mauvaise qualité risque d'affecter les performances du moteur et de détériorer le moteur et le circuit d'alimentation.**

**Utiliser seulement de l'essence sans plomb. Ne pas utiliser un carburant avec un indice d'octane inférieur à celui indiqué ou un carburant usagé ou contaminé par l'eau/saleté ou autre.**

#### NOTE:

*Les carburants oxygénés sont des carburants qui contiennent des additifs comportant de l'oxygène comme le MTBE ou l'alcool.*

SUZUKI conseille l'installation d'un filtre à carburant d'élimination de l'eau entre le(s) réservoir(s) de carburant et le(s) moteur(s) hors bord. Les systèmes de filtrage du carburant de ce type permettent d'éviter l'entrée d'eau dans les réservoirs de carburant et protègent le système d'injection électronique du moteur contre la contamination. La présence d'eau dans le moteur va se traduire par une dégradation des performances du moteur et peut également entraîner la détérioration des pièces du système d'injection électronique.

Votre concessionnaire marine Suzuki agréé est à même de vous aider dans le choix et l'installation d'un filtre à carburant d'élimination de l'eau.

## Essence contenant du MTBE

De l'essence sans plomb contenant du MTBE (Methyl Tertiary Butyl Ether) peut être utilisée dans votre moteur hors-bord si la teneur en MTBE n'est pas supérieure à 15%. Ce carburant oxygéné ne contient pas d'alcool.

## Mélanges essence/éthanol

Il est possible d'utiliser sur ce moteur hors-bord des mélanges d'essence sans plomb et d'éthanol (alcool de grain) appelés 'gasohol', si la teneur en éthanol est inférieure à 10%.

## Mélanges essence/méthanol

Des mélanges d'essence sans plomb et de méthanol (alcool de bois) sont vendus dans certaines régions. Quelles que soient les circonstances, NE JAMAIS UTILISER des carburants contenant plus de 5% de méthanol. Suzuki décline toute responsabilité concernant les détériorations du circuit d'alimentation ou des performances du moteur pouvant résulter de l'emploi de tels carburants, détériorations qui risquent de ne pas être couvertes par la garantie accordée aux moteurs neufs.

Des carburants à teneur en méthanol de 5% ou moins sont utilisables avec ce moteur sous réserve qu'ils contiennent des cosolvants et des inhibiteurs de corrosion.

## Signalisation des pompes à essence

Dans certains pays, la législation stipule que le type et la teneur du composant oxygénant et la présence d'additifs important soient indiqués sur les pompes. Ce type d'indication doit fournir suffisamment d'informations pour permettre de déterminer si un mélange donné d'essence est conforme aux conditions indiquées précédemment. Dans d'autres pays, les distributeurs ne sont pas tenus légalement d'indiquer ces informations. En cas de doute quant à la composition du carburant, vérifier auprès du pompiste ou du distributeur.

**NOTE:**

- *Bien vérifier que le mélange de carburant oxygéné utilisé a un indice d'octane d'au moins 87 à la pompe (méthode (R+M)/2).*
- *Si l'emploi d'un mélange essence/alcool ne donne pas entière satisfaction quant aux performances du moteur et à sa consommation, utiliser de l'essence sans plomb non mélangée à un alcool.*
- *En cas de cognement du moteur, changer de marque de carburant car les mélanges varient d'un distributeur à l'autre.*
- *Avec des essences sans plomb, les bougies ont une plus longue durée de vie.*

**AVIS**

De l'essence abandonné dans le réservoir de carburant pendant une longue période produira du vernis et de la gomme, produits qui pourraient endommager le moteur.

Toujours utiliser de l'essence fraîche.

**PLEIN DU RÉSERVOIR DE CARBURANT**

Pour faire le plein du réservoir de carburant :

1. Toujours couper le moteur avant de faire le plein du réservoir de carburant.
2. Pour faire le plein, sortir le réservoir de carburant portable du bateau.

**▲ AVERTISSEMENT**

**L'essence est extrêmement inflammable et toxique. L'essence peut provoquer un incendie et est dangereuse pour les personnes et les animaux.**

**Toujours observer les précautions suivantes lors du ravitaillement:**

- **Ne jamais permettre à une personne autre qu'un adulte de remplir le réservoir de carburant.**
- **Si vous utiliser le réservoir séparé de combustible, toujours arrêter le moteur et enlever ce réservoir du bateau pour le remplir.**
- **Ne pas remplir le réservoir de carburant au maximum; le carburant pourrait déborder lorsqu'il se dilate du fait du chauffage par le soleil.**
- **Faire attention à ne pas renverser de carburant. Si l'on renverse du carburant, l'éponger immédiatement.**
- **Ne pas fumer, et procéder à l'écart de toute flamme vive et étincelle.**

**AVIS**

**Les carburants contenant de l'alcool peuvent attaquer la peinture et de genre de dégâts n'est pas couvert par la garantie limitée accordée aux moteurs neufs.**

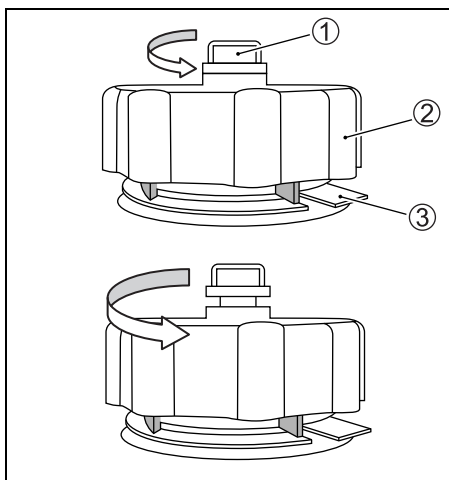
**Faire attention à ne pas renverser de carburant contenant de l'alcool pendant le ravitaillement. Si le carburant est renversé, l'éponger immédiatement.**

3. Pour ouvrir l'évent d'air, dévisser entièrement la vis de purge d'air ① se trouvant sur le bouchon du réservoir de carburant ② par rotation dans le sens contraire au sens horloger.

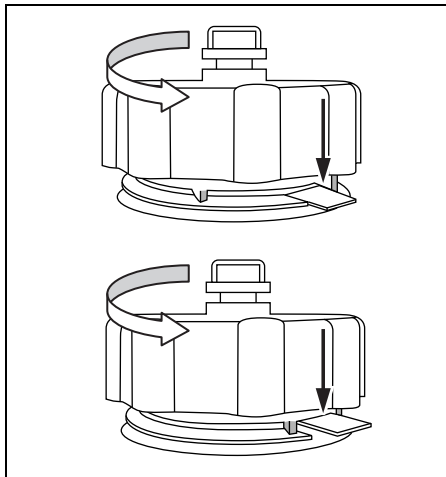
NOTE:

**LA VIS DE PURGE** doit être **FERMÉE** pendant le transport et **OUVERTE** pendant le **FONCTIONNEMENT** et pendant la **DÉPOSE DU BOUCHON**.

4. Localiser la languette de détente de la pression ③ se trouvant dans le bouchon du réservoir de carburant et faire tourner le bouchon dans le sens contraire au sens horloger jusqu'à ce que la languette s'engage dans le premier cran de verrouillage.



5. Appuyer sur la languette pour libérer le verrouillage et faire tourner le bouchon du réservoir de 1/4 de tour. La languette s'engage avec le deuxième cran de verrouillage.
6. Appuyer de nouveau sur la languette et tourner pour déposer le bouchon du réservoir de carburant.



7. Faire le plein d'essence du réservoir de réservoir en procédant avec précautions. **Ne pas excéder le niveau maxi.**
8. Serrer le bouchon du réservoir de carburant jusqu'au "clic".
9. Resserrer la vis de purge d'air sur le bouchon du réservoir de carburant.



## HUILE-MOTEUR

### AVIS

L'emploi d'une huile-moteur de mauvaise qualité peut affecter les performances et la durée de service du moteur.

Suzuki recommande d'utiliser une huile pour moteur 4 temps Marine Suzuki ou son équivalent.

La qualité de l'huile contribue de façon majeure dans la performance et dans la durée de vie du moteur. Toujours choisir une huile de bonne qualité.

Suzuki recommande une HUILE POUR MOTEUR 4-TEMPS MARINE SUZUKI SAE 10W-40. S'il n'est pas possible de se procurer une HUILE POUR MOTEUR 4-TEMPS MARINE SUZUKI, choisir une huile FC-W certifiée NMMA ou une huile pour moteur 4-temps de bonne qualité dans le tableau suivant en fonction des températures moyennes du lieu d'utilisation.

Classification API	Nuance de viscosité SAE	
SG	10W-40	
SH	10W-40	
SJ	10W-40	
SL	10W-30	
SM	10W-30	

TEMP.	°C	-20	-10	0	10	20	30	40
	F	-4	14	32	50	68	86	104

#### NOTE:

Par temps très froid (moins de 5°C), utiliser une huile de nuance SAE (ou NMMA FC-W) 5W-30 pour garantir un démarrage et un fonctionnement sans problème.

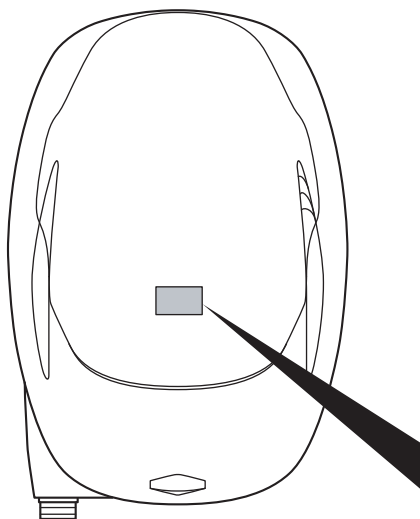
## HUILE POUR ENGRENAGES



Suzuki recommande l'utilisation d'une HUILE POUR ENGRENAGE HYPOÏDE SUZUKI. S'il n'est pas possible de se procurer ce type d'huile, utiliser une huile pour engrenage hypoïde SAE 90 classée GL-5 dans le système de classification de l'API.

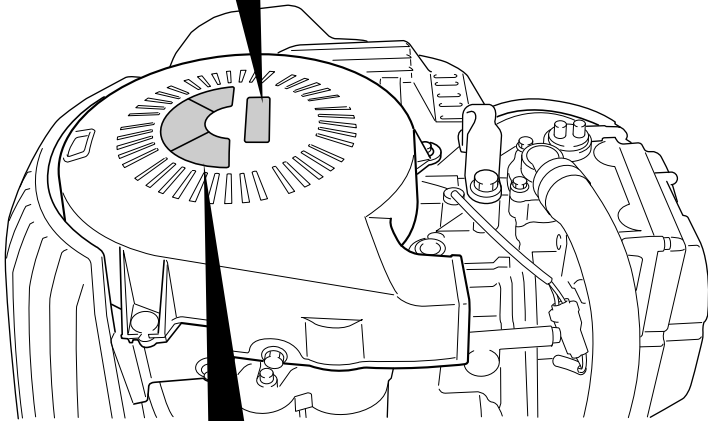
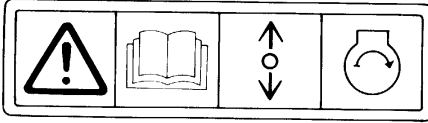
# EMPLACEMENT DES ÉTIQUETTES DE SÉCURITÉ

Lire et suivre les instructions des étiquettes de sécurité collées sur le moteur hors-bord ou sur le réservoir de carburant. S'assurer que vous comprenez bien les instructions sur ces étiquettes.

Laisser les étiquettes sur le moteur hors-bord ou le réservoir de carburant. Ne les enlever en aucun cas.



	<b>WARNING</b>	
<b>AVERTISSEMENT</b>		
<ul style="list-style-type: none"><li>• Fuel can leak creating a fire hazard if you lay motor on its side. Drain fuel completely from vapor separator or carburetor before laying motor on its side.</li><li>• See owner's manual for details.</li></ul>		
<hr/>		
<ul style="list-style-type: none"><li>• Le carburant risque de fuir et de présenter un danger d'incendie si le moteur est placé sur le côté. Vidanger entièrement le carburant du séparateur de vapeurs ou du carburateur avant de procéder.</li><li>• Pour plus de détail, voir le manuel du propriétaire.</li></ul>		



**WARNING**

- When engine is running, keep your hands, feet, clothing, etc., away from the engine.
- Read owner's manual before operating the motor.

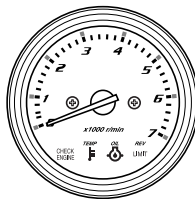
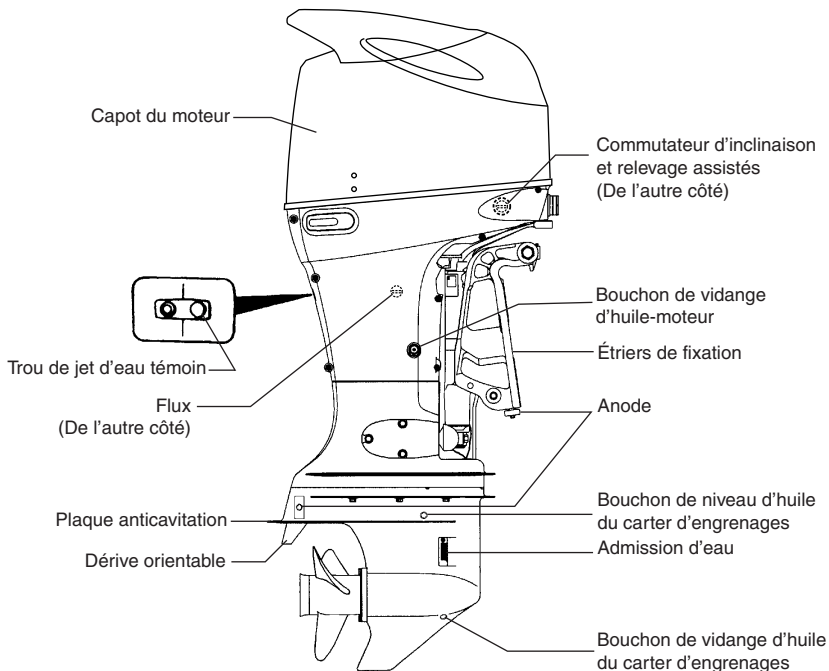
**AVERTISSEMENT**

- Quand le moteur est en marche, éloigner les mains, les cheveux, etc. du moteur.
- Bien lire le manuel du propriétaire avant de mettre le moteur en marche.

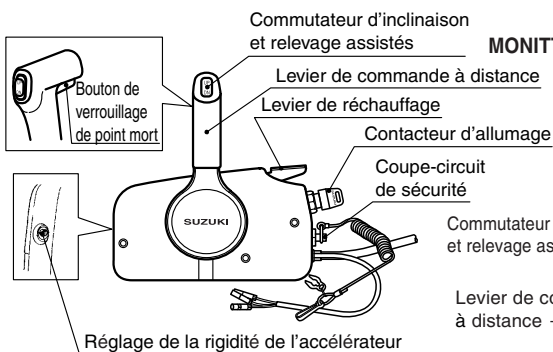
**ADVERTENCIA**

- Cuando el motor este funcionando, mantener sus manos, pertenencias, etc., alejadas del motor.
- Lea cuidadosamente el manual del propietario antes de utilizar el motor.

# EMPLACEMENT DES PIÈCES



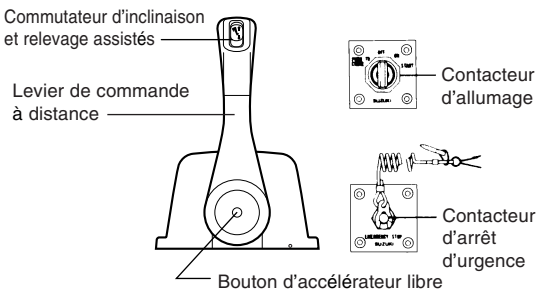
## BOÎTIER DE COMMANDE À DISTANCE



## MONITEUR-TACHYMETRE

## POIRE D'AMORÇAGE

## TYPE À INSTALLATION SUR LE HAUT



## BOÎTIER DE COMMANDE A DISTANCE (OPTION)

# INSTALLATION DU MOTEUR

## ▲ AVERTISSEMENT

Un moteur trop puissant sur votre bateau peut être dangereux. Une puissance excessive va avoir un effet inverse sur la sécurité à la coque et va présenter des difficultés de manoeuvre. Le bateau risque également d'être soumis à des tensions résultant en détérioration de la coque.

Ne jamais installer un moteur hors-bord d'une puissance dépassant la puissance maximale recommandée mentionnée sur la "Plaque d'homologation" du bateau. Contacter un concessionnaire de moteurs hors-bord agréé Suzuki si la "Plaque d'homologation" de la coque semble manquer.

### NOTE:

*La réglementation interdit aux concessionnaires de moteurs hors-bord d'entretenir des moteurs d'une puissance supérieure à celle conseillée pour le bateau sur lequel ils sont montés.*

Suzuki recommande vivement de faire installer le moteur hors-bord, les commandes et les indicateurs par un concessionnaire marin accrédité Suzuki. Il possède les outils, les locaux et le savoir faire nécessaires.

## ▲ AVERTISSEMENT

Un mauvais montage du moteur hors-bord et des commandes et indicateurs connexes peut se traduire par un accident ou par un endommagement du moteur.

Suzuki recommande vivement de faire installer votre moteur hors-bord, les instruments de commande et de contrôle par un concessionnaire de moteurs hors-bord agréé Suzuki. Il dispose de tout l'outillage et de tous les appareils nécessaires et est entièrement qualifié pour effectuer ce travail correctement.

# MISE EN PLACE DE LA BATTERIE

## TYPE DE BATTERIE

Choisir une batterie 12 V à accumulateur au plomb type démarrage conforme aux caractéristiques suivantes.

**Marine Cranking (Démarrage marine)  
650 ampères (MCA)/ABYC,  
ou Cold Cranking (Démarrage à froid)  
512 ampères (CCA)/SAE  
ou Reserve Capacity (RC) (Capacité  
de réserve) 160 minutes/SAE**

### NOTE:

- Les caractéristiques spécifiées ci-dessus sont les conditions nominales minimum requises pour le démarrage du moteur.
- Toute charge électrique supplémentaire va requérir l'installation d'une batterie de capacité supérieure. Pour déterminer la batterie appropriée à votre bateau et à son moteur, voir un concessionnaire Suzuki.
- Il est possible d'utiliser des batteries mixtes (à démarrage/décharge poussée) si celles-ci sont conformes aux caractéristiques minimum spécifiées ci-dessus (MCA, CCA ou RC).
- Ne pas utiliser une batterie à décharge poussée comme batterie de démarrage principale.
- Il n'est pas conseillé d'utiliser une batterie du type batterie sans entretien ou du type pile sèche qui risque de ne pas être compatible avec le système de charge de Suzuki.
- Si plusieurs batteries sont raccordées en parallèle, celles-ci doivent être du même type, de même capacité, de même marque de fabrication et d'âge similaire. Au moment d'un changement, toutes les batteries doivent être changées en même temps. Pour toute information sur la bonne installation de ces batteries, voir un concessionnaire Suzuki.

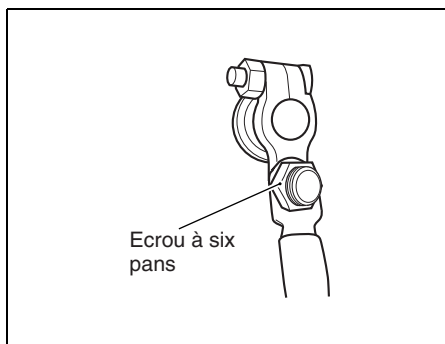
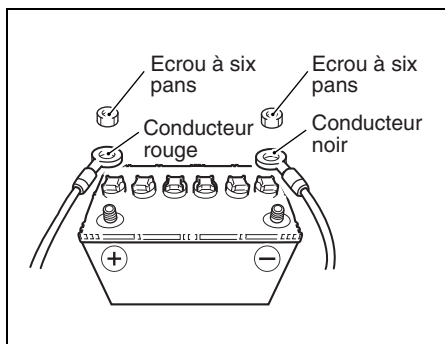
# MISE EN PLACE DE LA BATTERIE

Monter la batterie dans un endroit du bateau à l'abri de l'humidité et des vibrations.

### NOTE:

- Il est conseillé d'installer la batterie dans un boîtier étanche.
- Au raccordement de la batterie, fixer les câbles électriques aux plots de la batterie à l'aide d'écrous à six pans.

Pour raccorder la batterie, raccorder d'abord le conducteur rouge entre le moteur et le plot positif de la batterie, puis raccorder le conducteur noir au plot négatif.



## **▲ AVERTISSEMENT**

Ne pas placer la batterie près du réservoir de carburant, une étincelle de la batterie risque d'allumer l'essence et de résulter en incendie et/ou en explosion.

Ne placer le réservoir de carburant dans le même compartiment/au même endroit que la batterie.

Pour enlever la batterie, débrancher d'abord le câble noir de la borne négative. Ensuite, débrancher le câble rouge de la borne positive.

Pour réduire les chances de court-circuit accidentel et d'étincelles, raccorder et débrancher la batterie comme décrit précédemment.

## **▲ AVERTISSEMENT**

Les batteries déchargent un mélange d'hydrogène qui risque d'exploser à proximité d'une flamme ou d'une étincelle.

Ne jamais fumer ou provoquer une étincelle à proximité de la batterie. Eloigner la batterie de toute source de flamme. Pour éviter la formation d'étincelle pendant la recharge de la batterie, connecter les câbles du chargeur aux bornes correspondantes avant de mettre le chargeur sous tension.

## **▲ AVERTISSEMENT**

Le liquide de batterie est nocif et corrosif. Il peut causer des blessures graves et détériorer les surfaces peintes.

Eviter tout contact avec les yeux, la peau, les vêtements et les surfaces peintes. En cas de contact avec le liquide de batterie, rincer immédiatement avec beaucoup d'eau. En cas de contact avec les yeux ou la peau, consulter un docteur immédiatement.

## **AVIS**

Le système électrique est constitué d'éléments qui risquent d'être détériorés si les précautions nécessaires concernant la batterie ne sont pas respectées.

- Veiller à bien connecter les conducteurs de la batterie.
- Ne pas déconnecter les conducteurs de la batterie quand le moteur tourne.

## **UTILISATION D'ACCESSOIRES ÉLECTRIQUES**

La puissance (CC12V) disponible pour les accessoires, toutefois, dépend de la condition d'utilisation du moteur. Pour obtenir des informations plus détaillées, veuillez-vous enquérir auprès d'un vendeur SUZUKI agréé de pièces détachées.

### **NOTE:**

*Une alimentation électrique trop puissante pour les accessoires électriques dans certaines conditions opératoires risque de décharger la batterie.*

# CHOIX ET MONTAGE DE L'HÉLICE

## CHOIX DE L'HÉLICE

Il est primordial d'équiper votre moteur hors-bord d'une hélice adaptée correctement aux caractéristiques de fonctionnement du bateau. La vitesse du moteur lorsque l'on utilise le bateau sous accélération maximale dépend de l'hélice que l'on utilise. Un régime excessif du moteur risque de l'endommager sérieusement, tandis qu'un régime réduit à plein gaz va se traduire par une faible performance. Le choix de l'hélice est par ailleurs fonction de la charge de service. Des charges plus faibles demandent en général des hélices à pas plus grand et les charges plus importantes des hélices à pas plus petit. Les concessionnaire de moteurs hors-bord agréé Suzuki peuvent vous aider à choisir l'hélice appropriée pour votre bateau.

### AVIS

Installer une hélice ayant un pas trop élevé ou trop bas entraîne un régime maximum du moteur anormal et ceci peut entraîner des détériorations sérieuses du moteur.

**Demander au concessionnaire Suzuki agréé de vous conseiller pour la sélection d'une hélice appropriée à votre bateau.**

Pour déterminer si l'hélice est appropriée aux conditions du bateau, vérifier le régime sur le compte-tour à plein gaz et à charge minimum. Si l'hélice est appropriée, le régime se trouve dans les limites suivantes :

DF100A	5000 – 6000 tr/min. (min <sup>-1</sup> )
DF115A	5000 – 6000 tr/min. (min <sup>-1</sup> )
DF140A	5600 – 6200 tr/min. (min <sup>-1</sup> )

Si le régime du moteur n'est conforme à ces limites, voir le concessionnaire de moteurs hors-bord agréé Suzuki pour décider la taille de l'hélice la plus appropriée.

Après un changement de l'hélice, procéder à nouveau au contrôle précédent pour vérifier que le régime du moteur à plein gaz est dans les limites spécifiées.

## MONTAGE DE L'HÉLICE

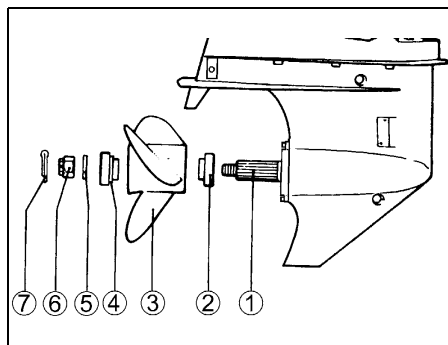
### ▲ AVERTISSEMENT

**Ne pas manquer de suivre les précautions d'usage pendant la pose ou la dépose de l'hélice, afin d'éviter tout risque de blessure grave.**

**Pour monter ou déposer l'hélice:**

- **Toujours mettre la boîte au "point mort" et enlever la plaque de verrouillage du contacteur d'arrêt d'urgence pour éviter toute remise en route accidentelle du moteur.**
- **Revêtir des gants de sécurité pour se protéger les mains et "verrouiller" l'hélice en insérant un bloc de bois entre les pales et la plaque anticavitation.**

Pour monter une hélice sur le moteur hors-bord, procéder comme suit:



1. Enduire les cannelures de l'arbre d'hélice ① d'une généreuse couche de graisse hydrofuge afin d'empêcher la formation de rouille.
2. Mettre la butée ② sur l'arbre.
3. Faire coïncider les cannelures de l'arbre d'hélice et celles du moyeu de l'hélice puis glisser l'hélice ③ sur l'arbre.



# RÉGLAGES

4. Mettre l'entretoise ④ et la rondelle ⑤ sur l'arbre comme illustré.
5. Visser l'écrou d'hélice ⑥ puis, à l'aide d'une clé dynamométrique, le serrer à un couple de 50 – 60 N·m (5.0 – 6.0 kg·m/36.0 – 43.5 lb·ft).
6. Insérer la goupille fendue ⑦ et recouber ses extrémités afin qu'elle ne puisse pas s'enlever.

Pour déposer l'hélice, inverser la procédure ci-dessus.

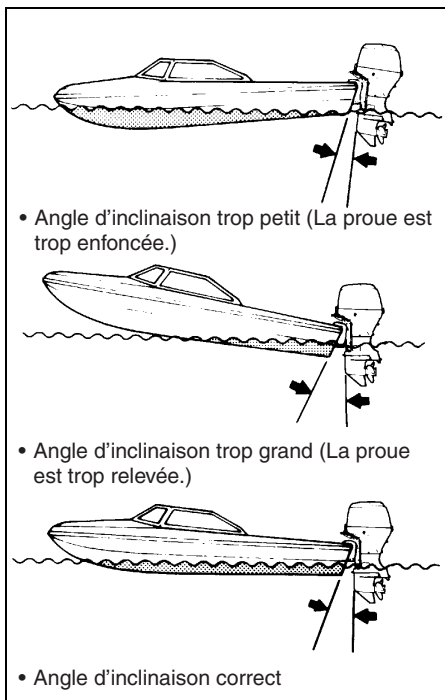
## RÉGLAGE DE L'ANGLE D'INCLINAISON

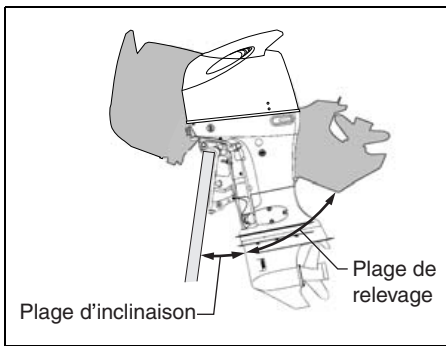
Afin d'obtenir une bonne stabilité directionnelle et de bonnes performances, toujours maintenir l'angle d'inclinaison correct comme illustré. L'angle d'inclinaison approprié varie en fonction de la combinaison bateau, moteur et hélice, ainsi qu'en fonction des conditions d'utilisation.

Faire une marche d'essai avec le bateau pour déterminer si l'angle d'inclinaison nécessite un réglage. Régler cet angle à l'aide du dispositif d'inclinaison et de relevage assistés.

Voir en section INCLINAISON ET RELEVAGE ASSISTÉS.

Si les résultats obtenus ne sont pas satisfaisants, le problème est peut être dans la hauteur d'installation du moteur. Voir le concessionnaire pour une assistance technique.





## AVIS

Si le bateau est utilisé avec le moteur basculé au-delà de sa position d'inclinaison maximum, les prises d'eau risquent de se trouver au-dessus du tirant d'eau et le moteur risque de surchauffer et d'être sérieusement détérioré.

Ne jamais utiliser le bateau avec le moteur basculé au-delà de sa position d'inclinaison maximum.

### ▲ AVERTISSEMENT

L'angle d'inclinaison (l'assiette) affecte grandement la stabilité de gouverne. Si cet angle est trop faible, le bateau aura tendance à "piquer du nez" ou à "gouverner par la proue". Si l'angle est trop grand, le bateau aura tendance à "dandiner" de droite à gauche ou à "marsouiner" d'avant en arrière. Dans de telles conditions, avec la perte possible de contrôle de la gouverne, les occupants du bateau risquent d'être jetés par-dessus bord.

Toujours assurer un angle d'inclinaison approprié compte tenu de l'ensemble bateau, moteur, hélice et des conditions opératoires.

### ▲ AVERTISSEMENT

Quand le moteur est basculé au-delà de sa position d'inclinaison maximum, le support à rotule ne bénéficie plus du soutien latéral du support de fixation et le système de relevage n'est plus à même d'amortir le moteur si la partie inférieure heurte à un obstacle. Il peut en résulter des blessures corporelles.

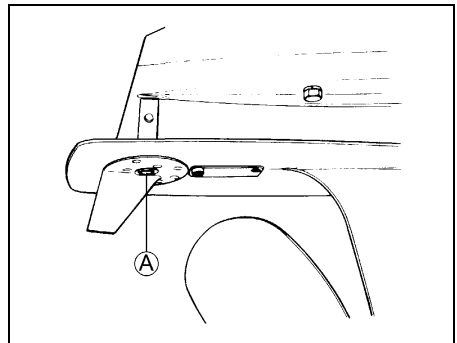
Ne pas faire tourner le moteur à plus de 1 500 tr/min ou planer avec le bateau quand le moteur est basculé au-delà de sa position d'inclinaison maximum.

### RÉGLAGE DE LA DERIVE ORIENTABLE

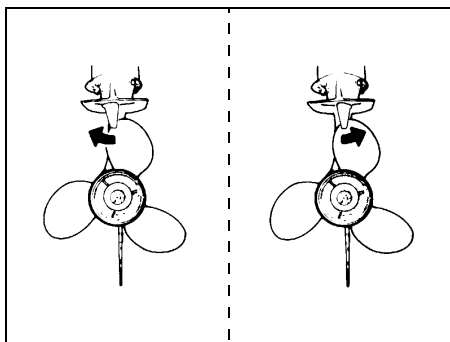
Ce réglage est utilisé pour compenser la possible tendance du bateau à se déporter légèrement vers la gauche ou vers la droite. Cette tendance peut être due à des facteurs tels que couple de l'hélice, position de montage du moteur, est.

Pour régler la dérive orientable:

1. Desserrer le boulon (A) servant à immobiliser la dérive orientable.



2. Si le bateau tend à se déporter vers la gauche (bâbord), déplacer l'arrière de la dérive orientable vers le côté bâbord. Si le bateau tend à se déporter vers la droite (tribord), déplacer l'arrière de la dérive orientable vers le côté tribord.

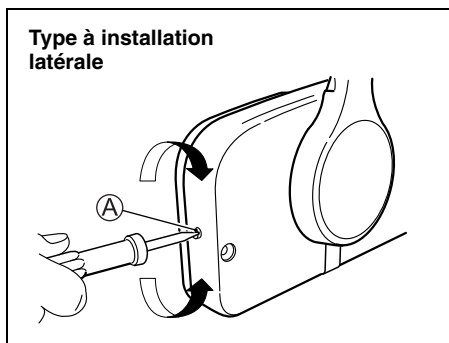


3. Ressermer le boulon servant à immobiliser la dérive orientable.

Après avoir réglé la dérive orientable, contrôler si le bateau tend toujours à se déporter vers un côté. Si nécessaire, réajuster la dérive orientable.

## RÉGLAGE DE LA RIGIDITÉ DE L'ACCÉLÉRATEUR

La rigidité du levier de commande à distance peut être réglée selon votre préférence. Pour augmenter cette rigidité, tourner le bouton de réglage (A) vers la droite. Pour diminuer la rigidité, tourner ce bouton vers la gauche.



**NOTE:**

### Type à installation sur le haut

Pour le réglage de la tension de la poignée de télécommande, voir un concessionnaire marine Suzuki agréé.

## RÉGLAGE DE RÉGIME DE RALENTI

Le régime de ralenti a été réglé en usine entre 650 et 750 tr/min au point mort.

**NOTE:**

Si le régime de ralenti ne peut pas être réglé dans la plage spécifiée, adressez-vous à votre revendeur agréé de moteurs hors-bords Suzuki.

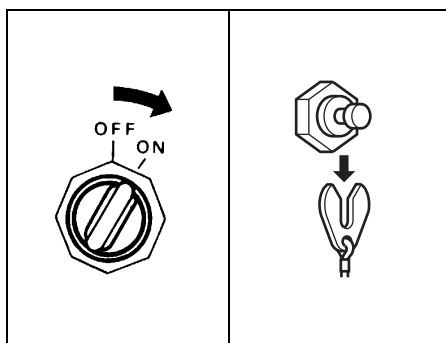
## RÉGLAGE DE LA POSITION LIMITE SUPÉRIEURE D'INCLINAISON

Si le moteur hors-bord est en contact avec le puits du moteur pendant l'inclinaison complète, le réglage de la position limite supérieure d'inclinaison devra être réglé.

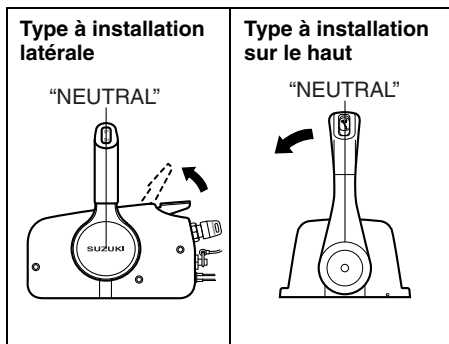
Effectuer ce réglage après avoir annulé le réglage de position utilisé, comme décrit dans la procédure suivante.

## ANNULATION DU RÉGLAGE DE POSITION LIMITE SUPÉRIEURE D'INCLINAISON

1. Mettre la clé de contact sur la position "ON".
2. Tirer sur la plaque de blocage de l'interrupteur d'arrêt d'urgence.



- S'assurer que la poignée de commande est sur la position "NEUTRAL".

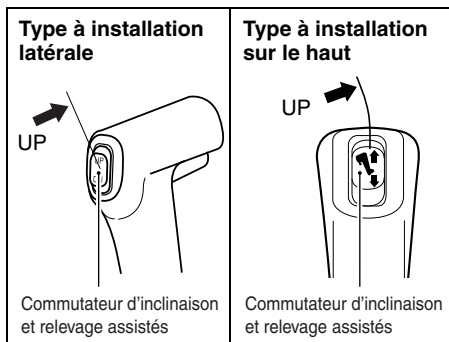


#### 4. Type à installation sur le haut

En utilisant seulement la fonction d'accélération du boîtier de commande à distance, déplacer la poignée de commande vers l'avant jusqu'à ce que l'alarme sonore retentisse une fois.

#### Type à installation latérale

En utilisant seulement la fonction d'accélération du boîtier de commande à distance, relever le levier de réchauffage pour faire retentir l'alarme sonore une fois.



- Appuyer sur "UP" du commutateur PTT pendant trois secondes et le signal sonore retentit brièvement deux fois pour indiquer que le réglage a été annulé.
- Fermer complètement la poignée des gaz.

## RÉGLAGE DE LA POSITION LIMITE SUPERIEURE D'INCLINAISON

- Appuyer sur "UP" du commutateur PTT pour obtenir la position maximum d'inclinaison du bateau.
- Mettre la clé de contact sur la position "ON".
- Tirer sur la plaque de blocage de l'interrupteur d'arrêt d'urgence.
- S'assurer que la poignée de commande est sur la position "NEUTRAL".
- Type à installation sur le haut**  
En utilisant seulement la fonction d'accélération du boîtier de commande à distance, déplacer la poignée de commande vers l'avant jusqu'à ce que l'alarme sonore retentisse une fois.

#### Type à installation latérale

En utilisant seulement la fonction d'accélération du boîtier de commande à distance, relever le levier de réchauffage pour faire retentir l'alarme sonore une fois.

- Appuyer sur "UP" du commutateur PTT trois fois en moins de trois secondes. Le signal sonore retentit brièvement une fois pour indiquer que le réglage a été accepté.
- Fermer complètement la poignée des gaz et remonter la plaque de blocage sur l'interrupteur d'arrêt d'urgence. Actionner la commande d'inclinaison de haut en bas plusieurs fois en appuyant sur le commutateur PTT et vérifier que les limites de relevage inférieure et supérieure sont correctement réglées.

### ▲ AVERTISSEMENT

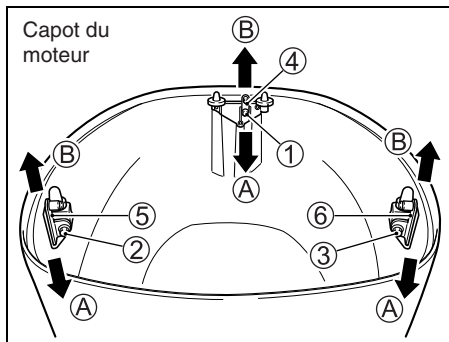
**Le réglage de la position supérieure limite de relevage ne va pas empêcher le moteur de se relever entièrement et d'entrer en contact avec le puits du moteur si la partie inférieure du moteur heurte un objet à grande vitesse. Le moteur risque alors d'être endommagé et les occupants du bateau de souffrir de blessures corporelles.**

**S'assurer que tous les occupants du bateau se trouvent à l'écart du moteur quand celui-ci est utilisé à grande vitesse.**

## RÉGLAGE DE LA FIXATION DU CAPOT DU MOTEUR

Si l'on sent que la fixation du capot du moteur est lâche ou trop serrée quand on bloque les leviers, la régler de la façon suivante:

1. Desserrer les boulons ①, ② et ③.
2. Régler la position des supports ④, ⑤ et ⑥.  
Pour augmenter le serrage, déplacer les supports dans le sens (A). Pour diminuer le serrage, déplacer les supports dans le sens (B).
3. Serrer les boulons.



## SYSTÈME DE SIGNALISATION

Le système de signalisation est conçu pour vous avertir de certaines situations qui peuvent entraîner un endommagement de votre moteur hors-bord.

### AVIS

**Sous peine de détérioration du moteur, ne pas compter exclusivement sur le système de signalisation pour l'indication des problèmes qui risquent de se produire avec le moteur ou pour signifier les périodes d'entretien.**

**Pour éviter tout dégât du moteur, en effectuer le contrôle et l'entretien de manière régulière.**

### AVIS

**Ne pas continuer à utiliser le moteur hors-bord quand le système de signalisation est activé sous peine de grave détérioration du moteur.**

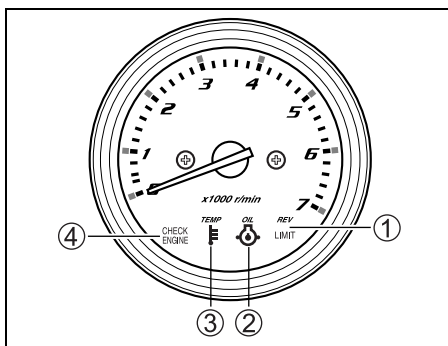
**Si le système de signalisation est activé pendant la marche du moteur hors-bord, couper le moteur dès que possible et corriger le problème ou demander l'assistance d'un concessionnaire marine Suzuki agréé.**

## VÉRIFICATION DES TÉMOINS

A chaque fois que l'on place le contacteur d'allumage sur "ON", quatre témoins-REV LIMIT ①, OIL ②, TEMP ③ et CHECK ENGINE ④-Clignotent brièvement sur le moniteur-tachymètre et un signal sonore se fait également entendre pendant les deux premières secondes quelles que soient les conditions du moteur.

Pendant les trois secondes suivantes, le moniteur-tachymètre indique le nombre total d'heures de service par le clignotement des témoins et l'indication de l'aiguille.

Après cette courte période de vérification, le moniteur-tachymètre retourne en mode de veille pour ne réagir que si les conditions du moteur demandent qu'un avertissement soit donné.



### AVIS

Si le système de signalisation ne fonctionne pas correctement, l'alarme risque de ne pas être donnée en cas de situation risquant de résulter en détérioration du moteur hors-bord.

Si l'un quelconque des quatre témoins ne s'allume pas ou si le vibreur ne retentit pas quand la clé de contact est mise en position "ON", les témoins ou le vibreur sont peut-être défectueux ou le circuit du système est peut-être défectueux. Voir un concessionnaire marine Suzuki agréé.

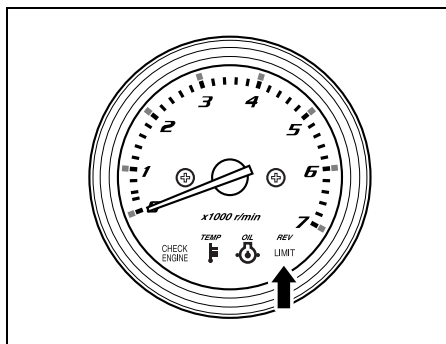
### NOTE:

Pour vérifier le nombre total d'heures de service du moteur, se reporter au TABLEAU D'INDICATION DU NOMBRE TOTAL D'HEURES DE SERVICE à la dernière page.

## SYSTÈME DE SIGNALISATION DE VITESSE

Ce système est activé quand la vitesse du moteur dépasse la valeur maximale recommandée pendant plus de dix secondes.

Quand ce système est activé, la vitesse du moteur est automatiquement réduite à 3000 tr/min. et le témoin REV LIMIT rouge s'allume.



Ce système doit être réinitialisé en mettant l'accélérateur sur la position de ralenti pendant environ une seconde pour rétablir le fonctionnement normal du moteur.

### AVIS

Si le système de signalisation de surrégime est activé au couple maximum conseillé alors que le pas de l'hélice a été confirmé suffisant et si aucun facteur du type "sur-balance" ou "ventilation" n'est évident, le système de signalisation de surrégime est probablement défectueux.

Si le système de signalisation de surrégime est activé sans raison apparente, voir un concessionnaire marine Suzuki Agréé.

## SYSTÈME INDICATEUR DE PRESSION D'HUILE

Ce système se met en marche quand la pression de l'huile du moteur est inférieure à la valeur normale.

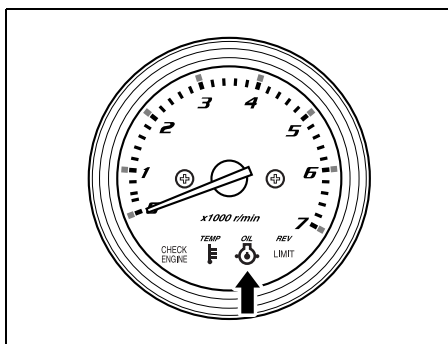
Quand ce système est activé, le témoin OIL rouge s'allume et un vibreur se met à émettre une série de tonalité. En outre, quando ce système est activé à 1000 tr/min. ou plus, la vitesse du moteur est automatiquement réduite à environ 1000 tr/min. et le témoin REV LIMIT s'allume.

Si le moteur continue à tourner, il s'arrêtera automatiquement 3 minutes après le déclenchement du système de signalisation décrit ci-dessus.

### NOTE:

*Si le moteur est arrêté automatiquement par le système de signalisation, le moteur peut être remis en marche si nécessaire.*

*Toutefois, le système de signalisation sera activé à nouveau tant que la cause du déclenchement n'a pas été éliminée.*



Si ce système est activé, arrêter le moteur immédiatement; si les conditions météorologiques ambiantes le permettent sans danger.

## ▲ AVERTISSEMENT

**Ne pas tenter de déposer ou de reposer le capot du moteur quand celui-ci est en fonction sous peine d'accident corporel.**

**Avant de vérifier le niveau d'huile, couper le moteur et déposer le capot.**

Contrôler le niveau d'huile et le compléter si nécessaire. Si le niveau d'huile est correct, consulter votre distributeur de moteurs hors-bord Suzuki.

## AVIS

**Ne pas se fier exclusivement au système de signalisation de pression d'huile pour faire l'appoint en huile sous peine de détérioration sérieuse du moteur.**

**Vérifier périodiquement le niveau de l'huile moteur et faire l'appoint en huile si nécessaire.**

## AVIS

**Utiliser le moteur quand le système de signalisation de pression d'huile est activé risque de résulter en détérioration sérieuse du moteur.**

**Si le système de signalisation de pression d'huile est activé, couper le moteur dès que possible et faire l'appoint en huile, si nécessaire, ou remédier au problème.**

## SYSTÈME DE SIGNALISATION DE L'EAU DE REFROIDISSEMENT

Ce système est activé quand la température de la paroi du cylindre est trop élevée du fait d'un refroidissement insuffisant par l'eau.

### NOTE:

*Le système de signalisation de l'eau de refroidissement ne détecte pas une élévation de la température de la chambre de combustion résultant, par exemple d'une défaillance du système de lubrification, d'une mauvaise qualité du carburant ou de bougies à valeur thermique inappropriée.*

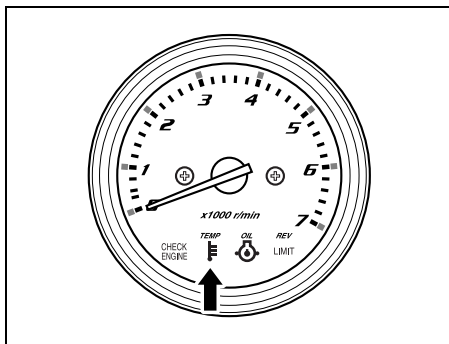
Quand ce système est activé, le témoin TEMP rouge s'allume et un vibreur se met à émettre une série de tonalités. En outre, quando ce système est activé à 3000 tr/min. ou plus, la vitesse du moteur est automatiquement réduite à environ 3000 tr/min. et le témoin REV LIMIT s'allume.

Si le moteur continue à tourner, il s'arrêtera automatiquement 3 minutes après le déclenchement du système de signalisation décrit ci-dessus.

### NOTE:

*Si le moteur est arrêté automatiquement par le système de signalisation, le moteur peut être remis en marche si nécessaire.*

*Toutefois, le système de signalisation sera activé à nouveau tant que la cause du déclenchement n'a pas été éliminée.*



Si le système de signalisation de l'eau de refroidissement entre en fonction pendant la marche, réduire immédiatement le régime du moteur et vérifier que de l'eau est refoulée par le trou témoin. Si ce n'est pas le cas, procéder comme ci-dessous.

Si le vent et l'eau le permettent, couper le moteur, le basculer hors de l'eau et le nettoyer de tout débris du type algues, sacs en plastique ou sable qui peuvent obstruer les prises d'eau. Redescendre le moteur dans l'eau, vérifier que les prises d'eau sont bien immergées et le remettre en marche.

Vérifier (A) que de l'eau est refoulée au trou témoin et (B) que le témoin rouge TEMP n'est plus allumé.

Attention car le témoin rouge TEMP risque de s'allumer de nouveau si la température du moteur s'élève de manière anormale. Dans l'un ou l'autre cas, voir dès que possible un concessionnaire marine Suzuki agréé.

### NOTE:

*Si le refoulement d'eau au trou témoin est suffisant, l'alarme sonore et le témoin TEMP demeurent en fonction jusqu'à ce que la température du moteur diminue. Laisser le moteur tourner au POINT MORT uniquement jusqu'à ce que les systèmes de signalisation cessent d'opérer.*

## AVIS

Utiliser le moteur quand le système de signalisation de l'eau de refroidissement est activé risque de résulter en détérioration sérieuse du moteur.

Si le système de signalisation de l'eau de refroidissement est activé, couper le moteur dès que possible, les conditions de vent et d'eau le permettant, et vérifier le moteur conformément aux instructions précédentes. Si le problème s'avère impossible à résoudre, voir un concessionnaire marine Suzuki agréé.



**NOTE:**

Attention car le système de signalisation de l'eau de refroidissement ne peut pas détecter une surchauffe résultant, par exemple, d'une défaillance du système de lubrification, d'une mauvaise qualité du carburant ou de bougies à valeur thermique inappropriée.

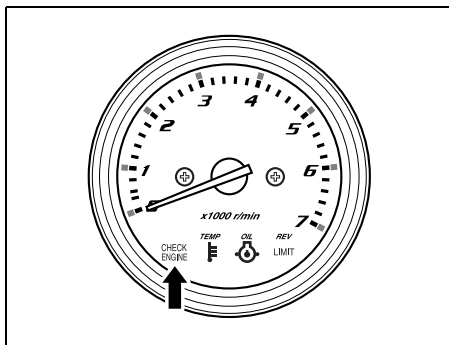
**NOTE:**

Si le moteur est mis en fonction au-delà de la position d'inclinaison maximum, les prises d'eau risquent de se trouver au-dessus du tirant d'eau. Le cas échéant, le système de signalisation de l'eau de refroidissement risque d'entrer en fonction.

## SYSTÈME DE SIGNALISATION DE TENSION DE BATTERIE

Ce système est activé quand un problème de tension de batterie pouvant entraîner un mauvais fonctionnement du moteur se produit.

Quand ce système est activé, le témoin CHECK ENGINE rouge s'allume et un vibreur se met à émettre une série de tonalité.



Ce système est automatiquement annulé lorsque la tension de la batterie retrouve son niveau normal.

Eviter d'utiliser tout équipement électrique comme le système d'inclinaison et de relevage assistés, les dérives orientables à commande hydraulique, la plaque de levage à commande hydraulique, etc.

## ▲ AVERTISSEMENT

**Ne pas prendre les précautions nécessaires lors du contrôle ou de l'entretien de la batterie peut s'avérer dangereux.**

**Ne pas tenter de vérifier ou d'entretenir la batterie sans avoir au préalable lu les avertissements, les mises en garde et les instructions de la section "INSTALLATION DE LA BATTERIE" dans ce manuel.**

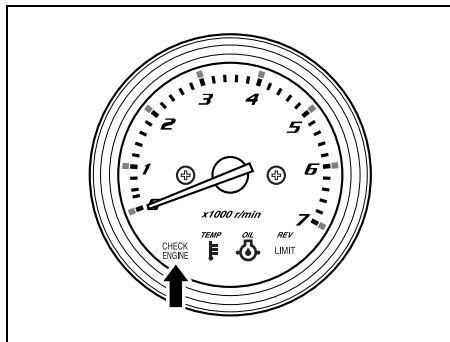
**NOTE:**

- Une batterie en mauvais état peut avoir suffisamment de puissance pour mettre le moteur en marche mais peut quand même provoquer l'activation de ce système de signalisation chaque fois que l'utilisation du moteur ou d'un accessoire du bateau nécessite un courant électrique de forte intensité.
- Si ce système de signalisation reste activé même lorsque l'on ne se trouve plus dans une situation du moteur ou d'accessoires nécessitant un courant électrique de forte intensité, contacter un concessionnaire Suzuki accrédité.

# SYSTÈME DE DIAGNOSTIC

Si une anomalie se présente dans tout signal de capteur envoyé au bloc de commande, le système de diagnostic signale cette anomalie.

Si ce système est activé, le témoin CHECK ENGINE rouge clignote et le vibreur retentit.



De plus, un dispositif de sécurité permet l'utilisation à une vitesse limitée quand une anomalie se produit.

## NOTE:

- Le témoin CHECK ENGINE s'allume brièvement quand la clé de contact est mise en position "ON".
- Le dispositif en panne peut être identifié par le mode de clignotement du témoin rouge CHECK ENGINE et par l'entrée en fonction du vibreur.  
Le code de diagnostic est conçu pour apparaître à la mise du contact.
- Pour annuler le signal sonore lorsque le système de diagnostic est activé, enfoncer le contacteur d'allumage.

## AVIS

Si le système de diagnostic est activé pendant que le moteur hors-bord est en fonction, l'un des capteurs du système de contrôle est défectueux.

Faire réparer le système de contrôle par un concessionnaire marine Suzuki agréé.

# SYSTÈME DE RAPPEL DE VIDANGE D'HUILE

Ce système indique à l'opérateur qu'il est nécessaire de vidanger l'huile-moteur selon le calendrier de maintenance.

Ce système mémorise le nombre total d'heures de service du moteur hors-bord et donne l'indication quand la durée déterminée vient à terme.

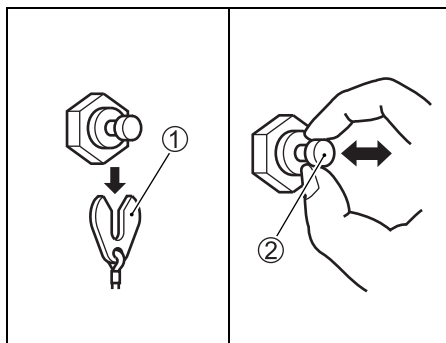
(Se référer à INSPECTION ET MAINTENANCE, dernière page).

## ACTIVATION DU SYSTÈME

Quand le nombre total d'heures de service est atteint, le témoin d'huile (OIL) clignote. Si le moteur ne tourne pas, une série de double bips retentit en plus. Cette alarme est répétée tant que le système n'est pas désactivé.

## DESACTIVATION

1. Mettre la clé de contact sur la position "ON".
2. Retirer la plaque sur l'interrupteur d'arrêt d'urgence ①.
3. Tirer sur le bouton de l'interrupteur d'arrêt d'urgence ② trois fois en moins de 10 secondes. Un bip sonore retentit pour indiquer que le système a été désactivé.



4. Mettre la clé de contact sur la position "OFF".
5. Remettre en place la plaque ①.

**NOTE:**

- Il est possible de désactiver le système même si l'huile n'a pas été vidangée. Pourtant, si le système est déclenché, Suzuki recommande de vidanger l'huile-moteur avant de désactiver le système.
- Même si l'huile-moteur a été vidangée quand le système ne fonctionne pas, il sera nécessaire de désactiver le système.

## SYSTÈME D'ALARME DE CALAGE DU MOTEUR

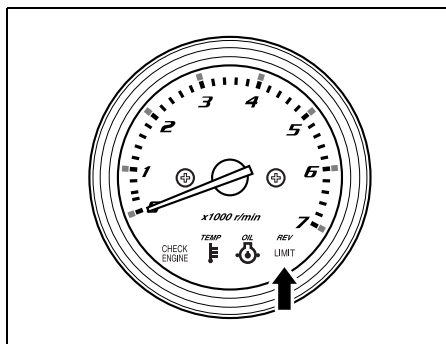
Ce système signale à l'opérateur que le moteur a calé pendant la marche. Quand le moteur se cale pour une raison quelconque, le vibreur d'alarme retentit trois fois.

## EAU DANS LE SYSTÈME D'ALERTE DE CARBURANT

Ce moteur est doté d'un filtre à carburant intégré / séparateur d'eau et d'un système d'alerte.

Le système d'alerte se déclenche si l'eau séparée du carburant dépasse un volume spécifique.

Si ce système se déclenche, le témoin rouge REV-LIMIT clignote et une alarme retentit par séries de trois bip quand le moteur est au point mort seulement.



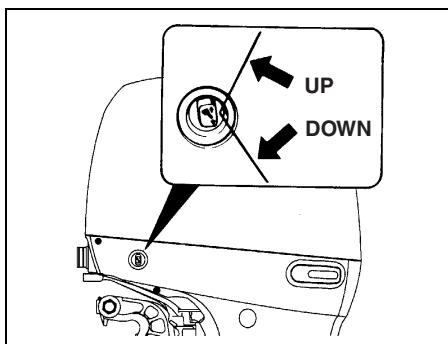
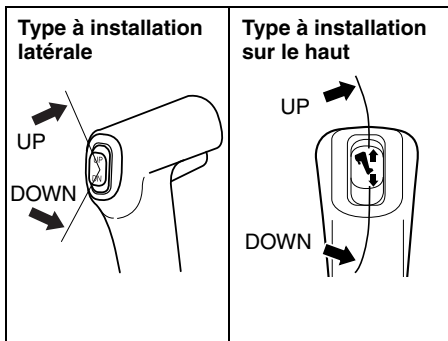
Si ce système se déclenche, arrêter le moteur immédiatement, si le vent et l'état de la mer le permettent, et vérifier le filtre à carburant / séparateur d'eau pour toute présence d'eau. Ou bien consulter le concessionnaire agréé Suzuki.

Pour l'inspection et le nettoyage du filtre à carburant, se référer à **FILTRE À CARBURANT A BASSE PRESSION** dans la section **INSPECTION ET MAINTENANCE**.

# UTILISATION DU SYSTÈME DE RELEVAGE

## INCLINAISON ET RELEVAGE ASSISTÉS

Le “dispositif d’inclinaison et de relevage assistés” peut être actionné en appuyant sur le commutateur. Pour relever le moteur, appuyer sur la partie supérieure du commutateur. Pour faire descendre le moteur, appuyer sur la partie inférieure du commutateur.



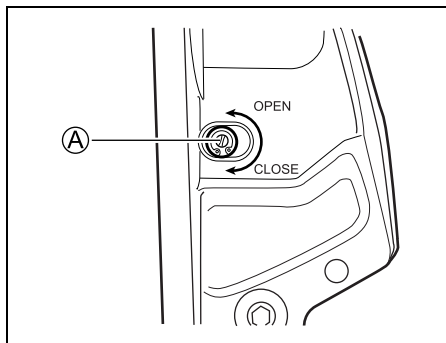
### ▲ AVERTISSEMENT

La commande du dispositif d’inclinaison et de relevage assistés (PTT) peut être accidentellement enclenchée quand le contact est mis et résulter en accident corporel.

Pour éviter tout accident en cas de déclenchement de la commande du PTT, ne laisser personne s’approcher du moteur hors-bord.

## INCLINAISON MANUELLE

S’il s’avère impossible d’incliner le moteur à l’aide du “dispositif d’inclinaison et de relevage assistés” du fait d’un problème électrique ou autre, celui-ci peut être manœuvré manuellement. Pour relever ou descendre le moteur, tourner la vis de desserrage (A) de deux tours dans le sens contraire au sens horloger, mettre le moteur dans la position souhaitée et resserrer la vis desserrage.



### ▲ ATTENTION

Le moteur est très lourd. Quand il est basculé manuellement, il y a risque de blessure du dos ou de perte de l’équilibre et de chute pouvant résulter en blessures corporelles.

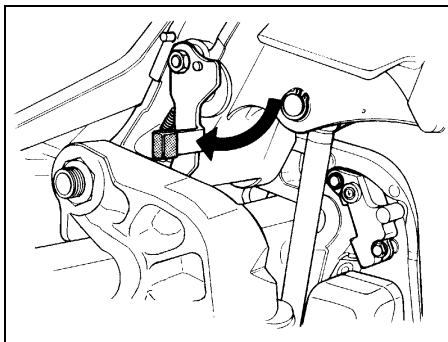
Si le moteur est basculé manuellement, assurer une bonne prise des mains et une bonne assise des jambes pour supporter le poids du moteur.

## LEVIER DE RELEVAGE

Le levier de relevage est prévu pour soutenir le moteur, à l'arrêt, sur une position de relevage.

Pour positionner le levier de relevage:

1. Relever le moteur au maximum à l'aide du dispositif d'inclinaison et de relevage assistés.
2. Tirer le levier de relevage vers le bas comme illustré.
3. A l'aide du dispositif d'inclinaison et de relevage assistés, descendre le moteur jusqu'à ce qu'il soit soutenu par le levier de relevage.



Pour libérer le levier de basculement, relever entièrement le moteur à l'aide de la commande d'inclinaison et relevage assistée "UP" et tirer le levier de relevage vers le haut.

### ▲ ATTENTION

La commande du dispositif d'inclinaison et de relevage assistés risque d'entrer en fonction même quand le contact est coupé. Si quelqu'un enclenche la commande pendant que le levier de relevage est actionné, il ya risque de blessure des mains.

Pour éviter tout accident pendant la manœuvre du levier de relevage, ne laisser personne s'approcher de la commande du dispositif d'inclinaison et de relevage assistés.

## AVIS

Si le levier de relevage est manœuvré quand le bateau n'est pas amarré ou totalement immobilisé, des dégâts sont à craindre.

Le levier de relevage libère la pression du dispositif d'inclinaison et de relevage assistés et ne doit être manœuvré que lorsque le bateau est immobilisé. Ne pas utiliser ce levier de relevage quand le bateau et le moteur sont remorqués. Se reporter à la section "REMORQUAGE" de ce manuel.

# CONTRÔLE AVANT L'UTILISATION

## ▲ AVERTISSEMENT

Tout manquement à contrôler votre bateau et le moteur avant le départ peut être dangereux.

Avant le départ, toujours effectuer les contrôles décrits dans cette section.

Vérifier que le bateau et le moteur sont en bon état de marche et que tout est prêt en cas d'urgence.

Toujours procéder aux contrôles suivants avant de partir :

- S'assurer que l'on a assez de carburant pour la navigation prévue.
- Vérifier le niveau d'huile-moteur dans le carter d'huile.

## AVIS

Faire tourner le moteur avec une quantité insuffisante d'huile risque d'endommager sérieusement le moteur.

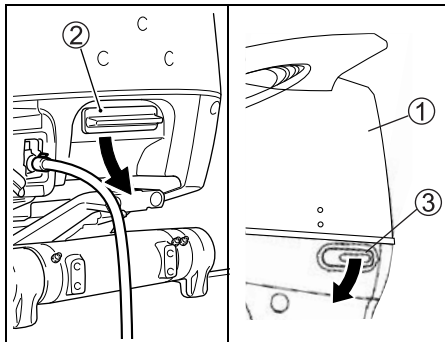
Toujours vérifier le niveau d'huile avant chaque sortie et faire l'appoint d'huile si nécessaire.

Pour vérifier le niveau d'huile:

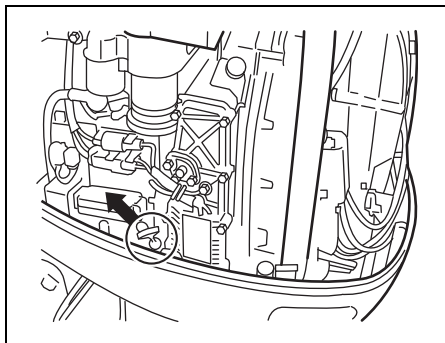
### NOTE:

Pour vérifier le niveau correctement, attendre que le moteur soit froid.

1. Placer le moteur à la verticale, puis retirer le capot du moteur ① en déverrouillant les leviers ② et ③.



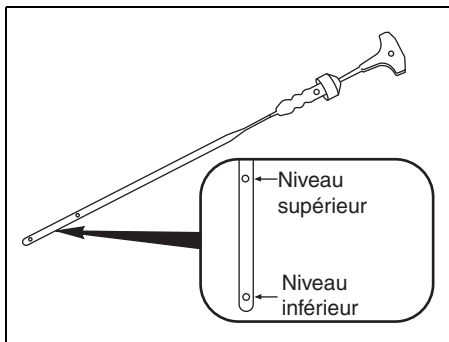
2. Sortir la jauge d'huile et essuyer avec un chiffon propre.



### NOTE:

Si l'huile est contaminée ou décolorée, la remplacer par de l'huile-moteur fraîche. Voir la section HUILE-MOTEUR.

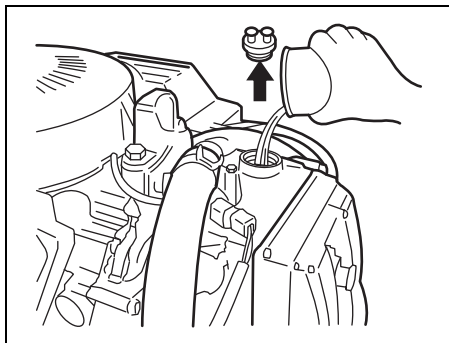
3. Introduire la jauge d'huile à fond et la ressortir.



Le niveau correct est entre les marques de niveau supérieur et de niveau inférieur sur la pige de jauge. Si le niveau est proche de la marque de niveau inférieur, faire l'appoint jusqu'à la marque de niveau supérieur.

Pour faire le plein d'huile:

1. Enlever le bouchon de remplissage d'huile.
2. Faire le plein avec l'huile recommandée, au niveau approprié.



### **AVIS**

**Faire tourner le moteur avec une quantité excessive d'huile risque d'endommager le moteur.**

**Ne pas trop remplir le moteur d'huile.**

3. Resserrer à fond le bouchon de remplissage d'huile.

- **Vérifier le niveau de la solution de la batterie.**

Le niveau devra être entre les marques MAX et MIN en permanence. Si le niveau tombe au-dessous de la marque MIN, se référer à la section ENTRETIEN.

- **Vérifier que les câbles sont soigneusement raccordés aux plots de la batterie.**

- **Contrôler l'hélice visuellement pour s'assurer qu'elle n'est pas endommagée.**

- **S'assurer que le moteur est solidement fixé au tableau arrière.**

- **S'assurer que le "dispositif d'inclinaison et de relevage assistés" fonctionne correctement.**

- **S'assurer que la broche d'inclinaison est solidement montée à la position correcte.**

- **Vérifier si l'angle d'inclinaison est correct.**

- **S'assurer que l'on dispose de l'équipement de sécurité et de secours nécessaire à bord.**

# RODAGE

Une utilisation correcte pendant cette période de rodage contribuera à assurer la longévité maximale et les performances optimales de votre moteur. Les directives suivantes expliquent les procédures de rodage correctes.

## AVIS

**Le non-respect des procédures de rodage décrites ci-dessous peut entraîner un grave endommagement du moteur.**

**Veiller à observer les procédures de rodage du moteur décrites ci-dessous.**

**Période de rodage:** 10 heures

### Procédure de rodage

1. Pour les premières deux heures de rodage:  
Laisser tourner le moteur au ralenti (environ cinq minutes) pour le réchauffer, après le démarrage à froid.

## AVIS

**Faire tourner le moteur trop vite sans le réchauffer suffisamment peut endommager sérieusement le moteur, tel que grippage des pistons.**

**Toujours réchauffer le moteur suffisamment au ralenti (5 minutes) avant de monter le régime.**

Après le réchauffage, faire tourner le moteur au ralenti ou au plus bas régime possible en prise pendant environ 15 minutes.

Pendant l'heure et 45 minutes restantes, utiliser le moteur en prise à moins de la moitié (1/2) (3000 tr/min.) de l'accélération maximale, si les conditions de navigation sont sûres et permettent une telle utilisation.

### NOTE:

*Il est possible d'accélérer au-delà du régime de service recommandé pour remettre le bateau d'aplomb, avant de réduire immédiatement le régime.*

2. Heure suivante:

Si les conditions le permettent, faire tourner le moteur à 4000 tr/min. ou au 3/4 de la position maximum du papillon des gaz. Eviter de faire tourner le moteur au régime maximum.

3. Sept heures restantes:

Utiliser le moteur en prise au régime souhaité, si les conditions de navigation sont sûres et permettent une telle utilisation. Il est possible d'accélérer au maximum de temps à autre, mais dans ce cas, ne jamais dépasser cinq minutes d'accélération continue.

## AVIS

**Faire tourner le moteur pleins gaz pendant plus de 5 minutes de façon continue pendant les 7 dernières heures du rodage risque d'endommager sérieusement le moteur, tel que grippage des pistons.**

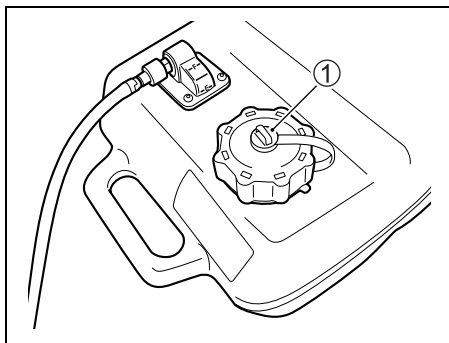
**Pendant les dernières 7 heures du rodage, ne pas faire tourner le moteur pleins gaz pendant plus de 5 minutes à la fois.**



# UTILISATION

## AVANT D'ESSAYER DE METTRE LE MOTEUR EN MARCHÉ

1. Le moteur a été abaissé dans l'eau.
2. Si le bouchon du réservoir de carburant est pourvu d'une purge d'air, dévisser à fond la vis de purge d'air ① se trouvant sur le bouchon du réservoir par rotation dans le sens contraire au sens horloger pour ouvrir l'évent d'air.



### ▲ AVERTISSEMENT

Quand le flexible de carburant est raccordé au réservoir de carburant portable ou au moteur, le carburant risque de se trouver sous haute pression et de gicler autour du point de raccordement, présentant ainsi un risque de blessures graves.

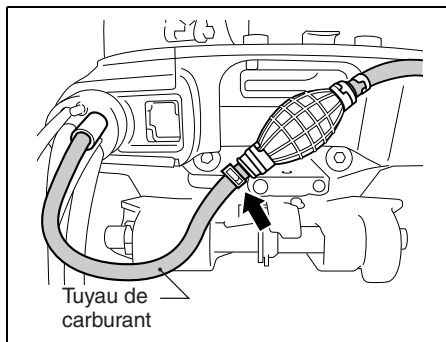
Avant de raccorder le flexible de carburant, desserrer et resserrer une fois le bouchon du réservoir de carburant pour détendre la pression du carburant dans ce réservoir.

Pour la manutention du bouchon du réservoir de carburant, voir la section "CARBURANT ET HUILE/PLEIN DU RÉSERVOIR DE CARBURANT" dans ce manuel.

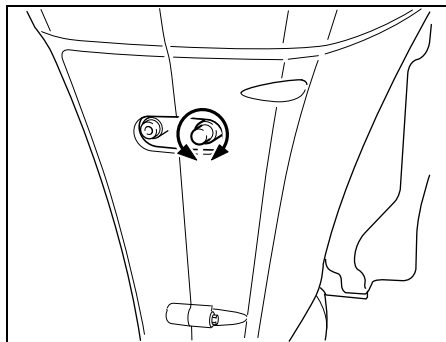
#### NOTE:

Les réservoirs de carburant portables SUZUKI d'origine sont pourvus d'un évent d'air semi-automatique.

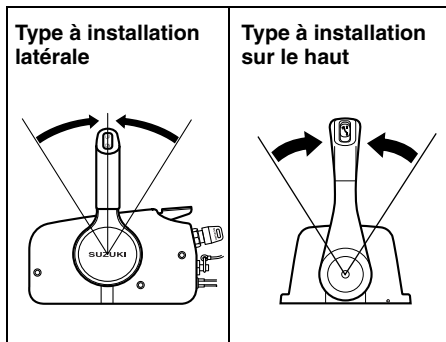
3. S'assurer que le tuyau de carburant du moteur et le tuyau venant du réservoir de carburant du bateau sont bien fixés et bridés.



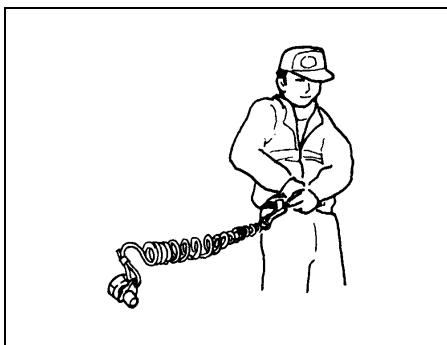
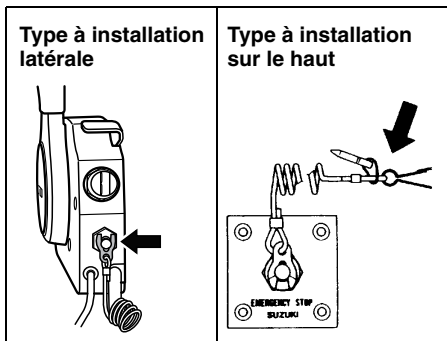
4. Orienter le trou de jet d'eau témoin sur la position voulue.



5. Vérifier que le moteur est au "Point mort" ("NEUTRAL").



6. La plaque de verrouillage du coupe-circuit de sécurité est en place et l'extrémité de la corde de ce coupe-circuit est attaché au corps du pilote.



## ▲ AVERTISSEMENT

Si le cordon du contacteur d'arrêt d'urgence n'est pas soigneusement attaché ou si les précautions nécessaires ne sont pas prises pour s'assurer que le contacteur d'arrêt d'urgence fonctionne normalement, risque de blessures graves ou de mort pour l'opérateur ou les passagers.

Toujours prendre les précautions suivantes:

- S'assurer que le cordon du contacteur d'arrêt d'urgence est soigneusement fixé au poignet de l'opérateur ou à un endroit approprié (comme la ceinture, par exemple).
- Vérifier que rien ne peut empêcher ou restreindre le fonctionnement du contacteur d'arrêt d'urgence.
- Éviter de tirer sur le cordon du contacteur d'arrêt d'urgence ou d'enlever la plaque de verrouillage pendant une marche normale. Le moteur va s'arrêter brusquement et avec l'interruption du mouvement de marche avant, les passagers risquent d'être jetés par-dessus bord.

### NOTE:

Une plaque de verrouillage en plastique est fournie pour un usage provisoire uniquement. L'enlever du cordon et la ranger dans un endroit sûr sur le bateau. Toutefois, remettre le cordon et la plaque de verrouillage originaux en place dès que possible.

## MISE EN MARCHÉ DU MOTEUR

### ▲ AVERTISSEMENT

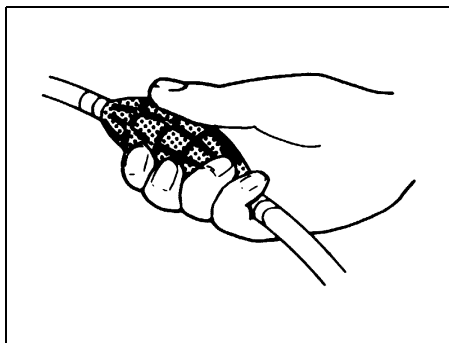
Les gaz d'échappement contiennent du monoxyde de carbone, un gaz incolore et inodore difficile à détecter. Ce gaz peut entraîner la mort ou des blessures graves.

Ne jamais lancer le moteur ou le faire tourner dans un endroit clos ou dans un endroit non ou faiblement aéré.

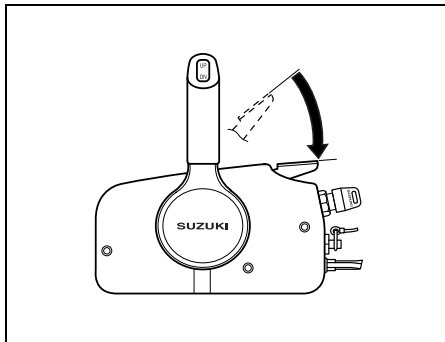
#### NOTE:

Si la plaque de blocage de l'interrupteur d'arrêt d'urgence n'est pas en position, le démarreur ne fonctionne pas.

1. Presser la poire d'amorçage de la conduite d'alimentation à plusieurs reprises, jusqu'à ce qu'une résistance soit sentie.

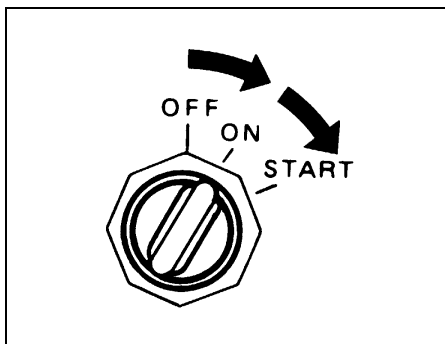


2. **Type à installation latérale:**  
S'assurer que le levier de réchauffage est sur la position de fermeture complète.



3. Mettre la clé de contact en position "ON" et noter l'indication du moniteur-tachymètre. Si ce moniteur n'indique rien d'anormal, mettre la clé en position "START" pour lancer le moteur.

Après avoir remis la clé de contact sur la position "ON" de la position "START", le démarreur continue à tourner pendant 4 secondes jusqu'au démarrage du moteur.



## AVIS

Ne pas laisser la clé de contact en position "START" au démarrage du moteur sous peine de détérioration du démarreur.

Pour lancer le moteur, mettre brièvement la clé de contact en position "START" et la relâcher.

Le moteur va être lancé pendant 4 secondes de suite ou jusqu'à son démarrage.

## AVIS

Si le témoin d'huile reste allumé pendant que le moteur hors-bord est en marche, le niveau d'huile est probablement insuffisant et le moteur risque d'être endommagé.

Couper le moteur et vérifier le niveau d'huile.

### NOTE:

Le temps de marche en continu du démarreur est fixé à cinq secondes.

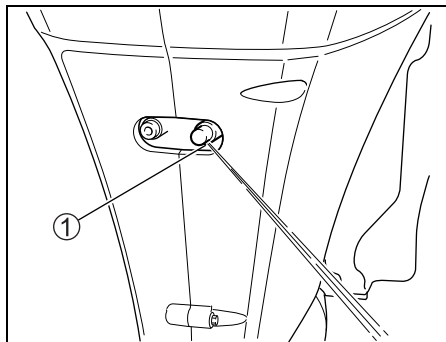
Au bout de cette période de temps, le démarreur est automatiquement coupé.

Quand le démarreur s'arrête, attendre environ dix secondes qu'il refroidisse avant de recommencer.

4. Faire chauffer le moteur pendant environ cinq minutes.

## Contrôle de l'eau de refroidissement

Dès que le moteur se met en marche, de l'eau doit être refoulée par le trou témoin ①, signifiant que la pompe à eau et le système de refroidissement fonctionnent correctement. Si l'on remarque que l'eau ne jaillit pas par le trou témoin, arrêter le moteur le plus tôt possible et consulter un distributeur de moteurs hors-bord Suzuki.



## AVIS

Ne jamais utiliser le moteur hors-bord quand il ne sort pas d'eau par le trou témoin ; un grave endommagement pourrait se produire.

Après avoir démarré le moteur, s'assurer que l'eau sort du trou témoin.

## ▲ AVERTISSEMENT

Utiliser le bateau quand le contacteur d'arrêt d'urgence ne fonctionne pas correctement peut être dangereux.

Avant de partir, s'assurer que le contacteur d'arrêt d'urgence fonctionne correctement.

## INVERSION DE MARCHÉ ET COMMANDE DE LA VITESSE

### AVIS

Le moteur risque d'être sérieusement endommagé si (a) le régime du moteur ne revient pas au ralenti et si la vitesse du bateau n'est pas réduite en passant de la "MARCHE AVANT" à la "MARCHE ARRIÈRE" ou de la "MARCHE ARRIÈRE" à la "MARCHE AVANT", ou (b) si les précautions nécessaires ne sont pas prises en passant en marche arrière.

Toujours laisser le régime du moteur revenir au ralenti avant de changer la marche. Faire attention et avancer lentement quand le bateau est en marche arrière. S'assurer que la barre/levier d'inversion est sur la bonne position avant d'accélérer.

### AVIS

Si vous changez de vitesse quand le moteur ne tourne pas, vous risquez de détériorer le système de changement de vitesses.

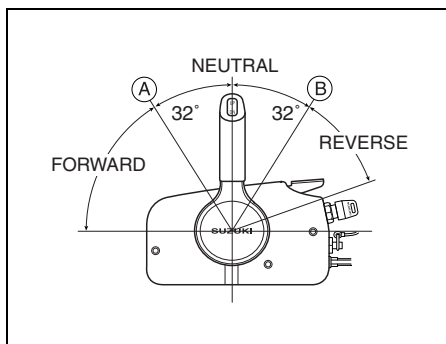
Eviter de changer de vitesse quand le moteur ne tourne pas.

### Inversion de marche

Pour passer en marche avant "FORWARD", appuyer sur le levier de verrouillage situé sur la poignée de commande puis déplacer le levier de commande vers l'avant jusqu'à environ la position (A), comme illustré.

Pour passer en marche arrière "REVERSE", appuyer sur le levier de verrouillage situé sur la poignée de commande puis déplacer le levier de commande vers l'arrière jusqu'à environ la position (B), comme illustré.

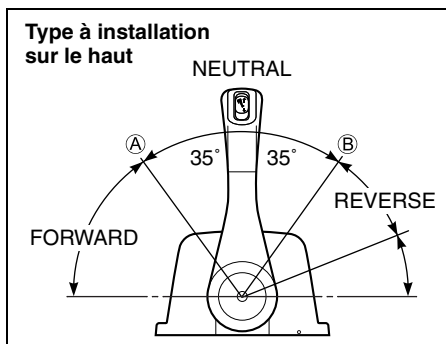
Tous les boîtiers de commande Suzuki sont pourvus d'un cliquet ou d'un cran permettant de "sentir" les positions (A), (B) et point mort. Pour protéger les pignons et les surfaces d'engagement de l'embrayage contre toute usure anormale, toujours exécuter le passage de la position de point mort à la position (A) ou (B) en procédant rapidement et sans hésitation.



NOTE:

#### Type à installation sur le haut

Non équipé d'un levier de verrouillage. Attention en sélectionnant la position de point mort.



## Commande de la vitesse

Pour accélérer une fois en prise, continuer de déplacer la poignée de commande vers l'avant ou vers l'arrière.

### ▲ AVERTISSEMENT

Comme la même poignée sert au passage des vitesses et à la commande de la vitesse, il est possible que la poignée dépasse la détente et ouvre la commande des gaz. Ceci risque de faire avancer brusquement le bateau et risque de causer des blessures ou un accident.

Prendre toutes les précautions nécessaires en utilisant la poignée de commande, afin de ne pas la pousser trop en avant ou trop en arrière pendant le changement de vitesse.

## ARRÊT DU MOTEUR

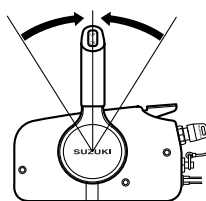
### NOTE:

Quand il est nécessaire d'arrêter le moteur en cas d'urgence, tirer sur la plaque de verrouillage du contacteur d'arrêt d'urgence et tirer sur la corde du contacteur d'arrêt d'urgence pour le faire sortir.

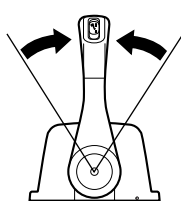
Pour arrêter le moteur:

1. Mettre au "POINT MORT".
2. Après avoir utilisé le moteur à plein régime, laisser refroidir le moteur pendant quelques minutes au ralenti ou en le faisant avancer à faible vitesse.

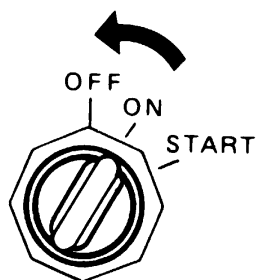
Type à installation latérale



Type à installation sur le haut



3. Mettre la clé de contact sur la position "OFF". Toujours laisser la clé de contact sur la position "OFF" quand le moteur ne tourne pas, ou la batterie risque de se décharger.



## AVIS

**Si la clé de contact est laissée en position "ON", moteur à l'arrêt, la batterie va se décharger.**

**Toujours mettre la clé de contact en position "OFF" quand le moteur est à l'arrêt.**

## ▲ AVERTISSEMENT

**L'utilisation de votre bateau sans autorisation peut avoir pour conséquences un accident ou l'endommagement de votre bateau.**

**Pour éviter l'utilisation sans votre autorisation de votre bateau, toujours retirer la clé de contact et la plaque de verrouillage d'arrêt d'urgence quand le bateau n'est pas surveillé.**

- Après avoir arrêté le moteur, déconnecter la conduite de carburant du moteur hors-bord si un raccord de conduite de carburant est prévu.

## ▲ AVERTISSEMENT

**Si vous laissez le moteur à l'arrêt pendant une période prolongée avec la conduite de carburant connectée, le carburant risque de fuir.**

**Déconnecter la conduite de carburant du réservoir de carburant, si celle-ci est équipée d'un raccord, à chaque fois que le moteur est arrêté pendant une période prolongée.**

- Tourner la vis d'évent sur le bouchon du réservoir de carburant dans le sens des aiguilles d'une montre pour fermer l'évent (le cas échéant).

## NOTE:

*Pour vérifier le bon fonctionnement du coupe-circuit de sécurité, arrêter de temps à autre le moteur alors qu'il tourne au ralenti en enlevant la plaque de verrouillage.*

## AMARRAGE

Le moteur doit être relevé avant d'amarrer le bateau en eau peu profonde ou lorsque le bateau n'est pas utilisé pendant une période prolongée, afin de le protéger de la corrosion ou des obstacles pouvant surgir à marée basse.

Pour le détail concernant la manière de relever de moteur, se reporter à la section LEVIER DE RELEVAGE.

## AVIS

**Un amarrage incorrect de votre bateau risque d'endommager le bateau ou le moteur, ou causer des dommages à un tiers.**

**Quand le bateau est à l'amarre, attention à ce que le moteur ne cogne pas contre le quai, la jetée ou d'autres bateaux.**

## UTILISATION EN EAU PEU PROFONDE

Quand on utilise le bateau en eau peu profonde, il peut s'avérer nécessaire de relever le moteur plus haut que l'angle d'inclinaison normal. Quand on relève le moteur au-delà de l'angle d'inclinaison normal, toutefois, on ne doit utiliser le bateau qu'aux basses vitesses. Quand on repasse en eau profonde, ne pas oublier de remettre le moteur à l'angle d'inclinaison normal.

Pour relever le moteur plus haut que l'angle d'inclinaison normal, procéder à l'aide du contacteur du Dispositif d'inclinaison et de relevage assistés.

### ⚠ AVERTISSEMENT

Quand le moteur est basculé au-delà de sa position d'inclinaison maximum, le support à rotule ne bénéficie plus du soutien latéral du support de fixation et le système de relevage n'est plus à même d'amortir le moteur si la partie inférieure heurte à un obstacle. Il peut en résulter des blessures corporelles. De plus, les prises d'eau risquent de se trouver au-dessus du tirant d'eau et le moteur risque de surchauffer et d'être sérieusement détérioré.

Ne pas faire tourner le moteur à plus de 1 500 tr/min ou planer avec le bateau quand le moteur est basculé au-delà de sa position d'inclinaison maximum.

### AVIS

Si le moteur heurte le fond, il risque d'en résulter des dégâts sérieux.

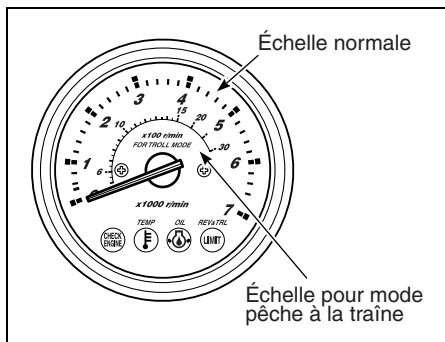
Ne pas laisser le moteur heurter le fond. Le cas échéant, vérifier immédiatement les dégâts occasionnés.

## FONCTIONNEMENT EN MODE PÊCHE À LA TRAÎNE (Article en option)

Le contrôle de la vitesse pour la pêche à la traîne est possible par l'installation d'un contacteur de Mode pêche à la traîne fourni en option. Pour plus d'informations, contactez un concessionnaire marine Suzuki agrégé.

### NOTE:

Pour une gestion efficace du régime du moteur pendant le fonctionnement en mode pêche à la traîne, Suzuki conseille l'installation d'un compte-tours de contrôle Suzuki à double échelle.



### Description du système

Le "Système Mode pêche à la traîne" est commandé à l'aide du contacteur de mode pêche à la traîne, le moteur se trouvant en prise, au régime de ralenti. Ce système permet de régler et de maintenir le régime du moteur à un certain niveau dans une plage allant du ralenti (environ 700 tr/min) à 1 200 tr/min.

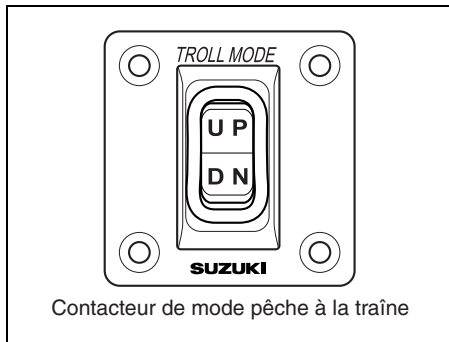
### Utilisation du mode pêche à la traîne

#### Réglage du mode pêche à la traîne :

1. Passer en marche avant ou en marche arrière et vérifier que les gaz sont coupés (régime de ralenti en prise).



2. Appuyer sur le côté "UP" ou "DN" du contacteur de mode pêche à la traîne jusqu'au bip. Le témoin REV/TRL (ou REV) entre en clignotement sur la jauge de contrôle pour signaler que le moteur est en mode pêche à la traîne. Le témoin REV/TRL (ou REV) continue de clignoter tant que le moteur est en mode pêche à la traîne.



**NOTE:**

Le système mode pêche à la traîne ne fonctionne pas si le levier de télécommande est en position de point mort.

**Réglage de la vitesse pour la pêche à la traîne :**

- Toute pression du côté "UP" du contacteur se traduit par un bip bref et une augmentation du régime moteur de 50 tr/min.
- Toute pression du côté "DN" du contacteur se traduit par un bip bref et une réduction du régime moteur de 50 tr/min.

**NOTE:**

- Une pression du côté "DN" du contacteur au régime minimum de la vitesse pour la pêche à la traîne ne va pas résulter au changement du régime moteur mais en trois longs bips (0,8 s).
- Une pression du côté "UP" du contacteur au régime maximum de la vitesse pour la pêche à la traîne ne va pas résulter au changement du régime moteur mais en trois longs bips (0,8 s).
- Le changement des vitesses et la commande des gaz restent opérationnels en mode pêche à la traîne.

**Annulation du mode pêche à la traîne :**

Pour annuler le mode pêche à la traîne, amener le levier de télécommande en position de point mort ou amener le régime du moteur à 3 000 tr/min ou plus. Dans les deux cas, deux bips brefs (0,1 s) vont retentir pour signaler l'annulation du mode pêche à la traîne.

**PRÉCAUTIONS À SUIVRE EN EAU DE MER**

Après avoir utilisé le moteur en eau de mer, toujours rincer les passages d'eau à l'eau fraîche, comme indiqué dans la section RINCAGE DES PASSAGES D'EAU. Toujours rincer ces passages d'eau afin d'éviter tout risque de corrosion due au sel, qui peut réduire la durée de service du moteur.

**UTILISATION PAR TEMPS FROID**

Par temps froid, si la température tombe en dessous de 0°C, faire en sorte que la partie inférieure du moteur hors-bord soit toujours dans l'eau.

Après avoir sorti le moteur de l'eau, le tenir à la verticale jusqu'à écoulement complet du liquide du le système de refroidissement.

**AVIS**

**En sortant de l'eau le moteur lorsque la température ambiante est inférieure à 0°C, l'eau contenue dans le système de refroidissement du moteur risque de se congeler, pouvant ainsi causer de sérieuses détériorations au moteur.**

**Quand le moteur hors-bord est laissé dans une eau glacée, le bloc inférieur devra être sous l'eau en permanence. Quand le moteur est sorti de l'eau glacée pour remisage, le laisser à la verticale afin que toute l'eau ressorte du système de refroidissement.**

# DÉPOSE ET TRANSPORT DU MOTEUR

## DÉPOSE DU MOTEUR

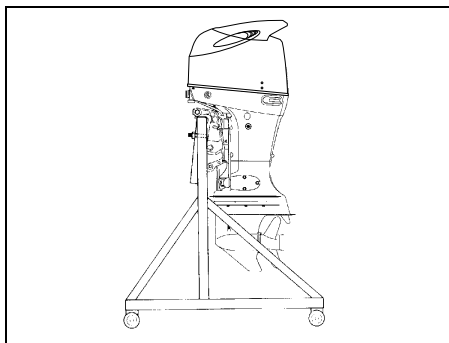
Si'il est nécessaire de déposer le moteur hors-bord du bateau, nous vous recommandons de confier cette opération à votre distributeur de moteurs hors-bord Suzuki.

## TRANSPORT DU MOTEUR

Lors du transport du moteur, le poser soit verticalement soit horizontalement.

### Transport vertical:

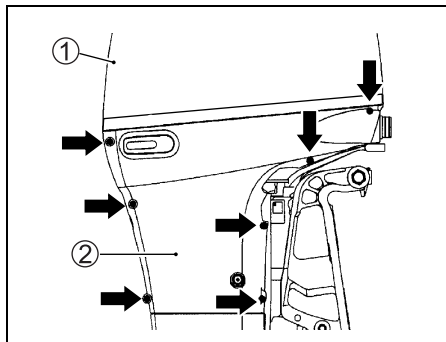
Fixer les étriers de fixation sur un support en serrant les deux boulons de tableau arrière.



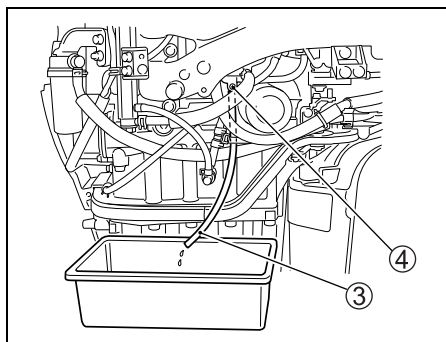
### Transport horizontal:

1. Vidanger l'huile-moteur. Voir la section HUILE-MOTEUR.
2. Vidanger l'essence du séparateur de vapeur de la manière indiquée.

- (1) Enlever le capot de moteur ①.
- (2) Enlever les sept (7) boulons à l'aide d'une clé à douille de 8 mm, puis enlever le cache du côté droit ②.



- (3) Retirer l'extrémité du tuyau de vidange ③.
- (4) Desserrer la vis de vidange du séparateur de vapeur ④ et vidanger l'essence.

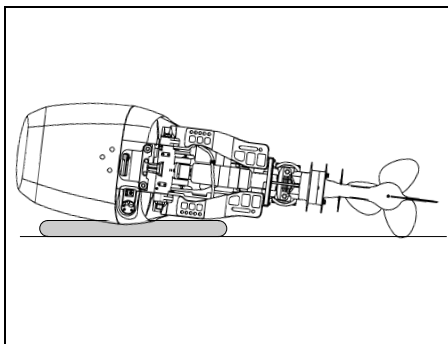


## ▲ AVERTISSEMENT

L'essence est extrêmement inflammable et toxique. L'essence peut provoquer un incendie et est dangereuse pour les personnes et les animaux.

Utiliser un récipient approprié pour recueillir l'essence vidangée du moteur hors-bord. Eloigner l'essence de toute source d'étincelle, de flammes, des personnes et des animaux.

- (5) Après la vidange, resserrer la vis puis remettre tous les éléments en place.
3. Placer le moteur sur un protège-carter avec le côté droit tourné vers le bas comme illustré.



## ▲ AVERTISSEMENT

Des coulures de carburant ou les vapeurs de carburant peuvent être à l'origine d'un incendie et sont des produits dangereux pour la santé.

Toujours bien observer les précautions suivantes :

- Vidanger le carburant de la canalisation de carburant et du séparateur de vapeurs de carburant avant de transporter le bateau/le moteur hors-bord et de déposer le moteur du bateau.
- **NE PAS** placer le moteur sur le côté avant d'avoir vidangé le carburant.
- Toujours tenir le moteur à l'écart de flammes vives ou d'étincelles.
- Essuyer immédiatement toute coulure de carburant.

## AVIS

Si les précautions nécessaires ne sont pas prises avant de coucher le moteur hors-bord sur le côté comme vidanger préalablement et entièrement l'huile moteur et l'eau de refroidissement, des dégâts risquent d'en résulter. L'huile moteur risque de pénétrer dans le cylindre depuis le carter d'huile et l'eau depuis la lumière d'échappement et les capots extérieurs risquent également d'être endommagés.

Toujours vidanger complètement l'huile moteur et l'eau de refroidissement avant de coucher le moteur sur le côté et procéder avec soin.

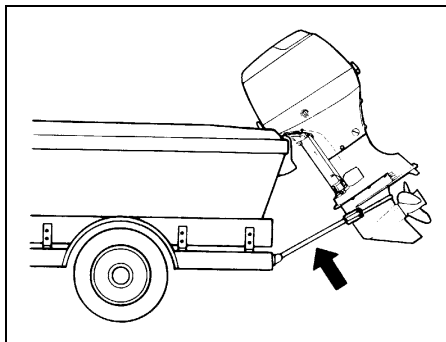
## AVIS

Pendant le transport ou le remisage, ne pas laisser le bloc inférieur de votre moteur hors-bord reposer plus haut que la tête motrice, l'eau pourrait s'infiltrer dans la tête motrice, causant ainsi un endommagement du moteur.

Ne jamais laisser le bloc inférieur reposer plus haut que la tête motrice pendant le transport ou le remisage de votre moteur hors-bord.

## REMORQUAGE

Quand vous remorquez votre bateau avec le moteur fixé dessus, laisser le moteur en position d'utilisation normale si la garde au sol est suffisante. Si la garde au sol est insuffisante, remorquer le bateau avec le moteur en position relevée en utilisant un jambe de force ou un dispositif similaire pour soutenir son poids.



## AVIS

Si vous le bras de verrouillage de relevage pour tenir le moteur dans la position de relevage maximum, les vibrations propres au remorquage ou induites par les irrégularités de la chaussée pourraient débloquer le verrouillage de relevage, entraînant ainsi un endommagement du moteur et du mécanisme de verrouillage de relevage.

Ne jamais utiliser le bras de verrouillage de relevage pour tenir le moteur dans la position de relevage maximum pour remorquer le bateau. Utiliser une jambe de force ou un dispositif similaire pour soutenir le poids du moteur.

# CONTRÔLE ET ENTRETIEN

## AVIS

L'ENTRETIEN, LE REMPLACEMENT OU LES RÉPARATIONS DES DISPOSITIFS ET DES SYSTÈMES DE RÉGULATION DES ÉMISSIONS PEUVENT ÊTRE EFFECTUÉS PAR TOUT ÉTABLISSEMENT OU MÉCANICIEN DE RÉPARATION DES MOTEURS MARINES UTILISANT DES PIÈCES DE RECHANGE HOMOLOGUÉES CONFORMÉMENT AUX PROVISIONS DE LA Sec. 207 (a) (2) DU 'CLEAN AIR ACT' (LOI SUR LA PROTECTION DE L'AIR).

## PLAN D'ENTRETIEN

Il est important de contrôler et d'entretenir le moteur hors-bord régulièrement. Suivre le tableau. À chaque intervalle, ne pas oublier

d'effectuer l'opération indiquée. Les intervalles d'entretien doivent être déterminés par le nombre d'heures ou le nombre de mois, selon celui de ces deux éléments qui arrive en premier.

## ▲ AVERTISSEMENT

**Les gaz d'échappement contiennent du monoxyde de carbone, un gaz incolore et inodore difficile à détecter. Ce gaz peut entraîner la mort ou des blessures graves.**

**Ne jamais lancer le moteur ou le faire tourner dans un endroit clos ou dans un endroit non ou faiblement aéré.**

Intervalles Élément	Premier mois ou premières 20 heures	Toutes les 100 heures ou tous les 12 mois	Toutes les 200 heures ou tous les 12 mois	Toutes les 300 heures ou tous les 36 mois
Bougies	–	I	–	–
Reniflard et conduite d'alimentation	I	I	–	–
Huile du moteur	R	R	–	–
Huile du carter d'engrenages	R	R	–	–
Graissage	I	I	–	–
Anodes (externes)	I	I	–	–
* Anodes (internes, bloc moteur)	–	I	–	–
Fils de masse	–	I	–	–
Batterie	I	I	–	–
* Filtre à huile du moteur	R	–	R	–
* Filtre à carburant basse pression	I	I	–	–
	Remplacer toutes les 400 heures ou tous les 2 ans.			
* Avance à l'allumage	–	–	I	–
* Régime de ralenti	I	–	I	–
* Jeu des soupapes	–	–	–	I
* Pompe à eau	–	–	I	–
* Rotor de la pompe à eau	–	–	I	R
* Ecrou et goupille de l'hélice	I	I	–	–
* Boulons & écrous	T	T	–	–

I: Inspecter et nettoyer, ajuster, graisser ou remplacer, si nécessaire. T: Serrer R: Remplacer

### NOTE:

*Filtre à carburant d'élimination de l'eau.*

*Changer l'élément du filtre tous les 12 mois (ou plus souvent selon les conseils du fabricant du filtre).*

## **▲ AVERTISSEMENT**

Un entretien défectueux ou le non-entretien recommandé peut s'avérer dangereux. Un entretien incorrect ou le non-entretien augmente les chances d'accident ou de détérioration de l'équipement.

Veiller à bien effectuer l'entretien selon le programme indiqué dans le tableau ci-dessus. Suzuki recommande de confier l'entretien seulement à un concessionnaire de moteurs hors-bord agréé Suzuki ou à un mécanicien qualifié des éléments repérés par un astérisque ( \* ) dans le tableau ci-dessus. Vous pouvez effectuer l'entretien des éléments non marqués en se référant aux instructions dans cette section si vous avez des connaissances en mécanique. Si vous n'êtes pas sûr de pouvoir effectuer ces opérations convenablement, les confier à un concessionnaire de moteurs hors-bord agréé Suzuki.

## **▲ AVERTISSEMENT**

La sécurité du pilote et des passagers dépend de la manière dont le moteur hors-bord est entretenu.

Respecter scrupuleusement toutes les instructions de contrôle et d'entretien. Ne pas essayer d'effectuer l'entretien de ce moteur hors-bord si l'on n'est pas qualifié. On pourrait se blesser ou endommager le moteur.

## **AVIS**

Les intervalles d'entretien indiqués dans le tableau ont été établis pour une utilisation normale du moteur hors-bord. Si le moteur hors-bord est utilisé sous des conditions difficiles, comme à pleine puissance la plupart du temps, en milieu boueux, salé, sablonneux ou acide, ou en eaux peu profondes, procéder aux opérations d'entretien plus souvent qu'indiqué dans le tableau. Le moteur hors-bord risque d'être endommagé si l'entretien n'est pas effectué plus souvent.

Consulter le concessionnaire de moteurs hors-bord agréé Suzuki pour toute question concernant les intervalles d'entretien appropriés. Pour le remplacement de pièces sur le moteur hors-bord, Suzuki conseille vivement l'utilisation de pièces Suzuki d'origine ou équivalentes.

## BOUGIE

Votre moteur hors-bord est équipé des bougies "standard" suivante pour une utilisation normale.

Bougie Standard	NGK BKR6E
-----------------	-----------

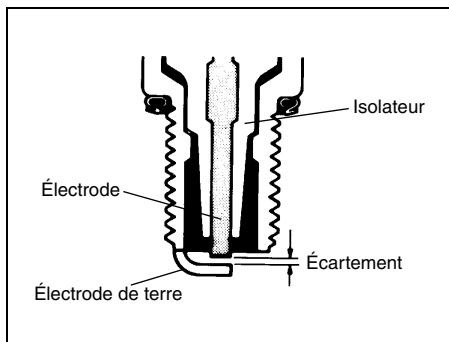
### AVIS

L'utilisation de bougies du type sans résistance risque de perturber le fonctionnement de l'allumage électronique, causant des ratés d'allumage ou des problèmes avec les autres équipements et accessoires électroniques du bateau.

Utiliser **UNIQUEMENT** des bougies du type à résistance sur votre moteur hors-bord.

Les concessionnaires de moteur hors-bord agréés Suzuki sont à même de déterminer si une bougie de type standard est appropriée au type d'usage prévu du moteur par contrôle de la couleur de l'isolateur en porcelaine ou de l'état de l'électrode de la bougie après usage.

Si la bougie tend à chauffer (comme en témoigne la couleur blanchâtre de l'isolateur ou le grillage de l'électrode), arrêter immédiatement l'usage du moteur sous peine de grave détérioration du moteur. Si la bougie n'est pas assez chaude (l'isolateur est alors noirâtre ou l'électrode apparaît humide), les performances vont s'en ressentir. Demander au concessionnaire de moteur hors-bord agréé Suzuki de déterminer la raison du problème.



## AVIS

L'utilisation de bougies incorrectes ou mal serrées peut entraîner un grave endommagement du moteur.

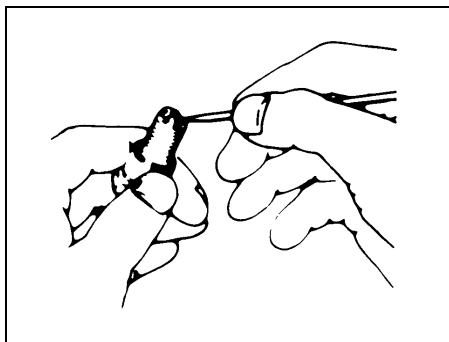
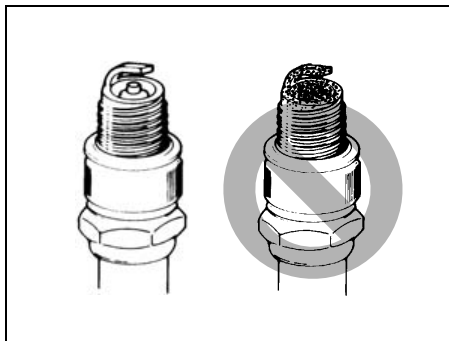
- Ne pas tenter d'utiliser de bougies de marque différente si celle-ci ne sont pas certifiées exactement équivalentes à la marque spécifiée, sous peine de détérioration du moteur non couverte par la garantie. Noter que les tableaux de correspondance postérieurs à la commercialisation risquent de manquer de précision.
- Pour monter une bougie; la visser d'abord entièrement à la main, puis utiliser une clé pour la resserrer au couple spécifié ou selon l'angle de rotation spécifié.

Couple de serrage	
2,5 – 2,8 kg-m (18,1 – 20,0 lb-ft)	
Angle de rotation	
Bougie neuve	1/2 – 3/4 tour
Bougie usagée	1/12 – 1/8 tour

- **Ne pas trop serrer ou fausser les filetages de la bougie sous peine de détérioration des filetages en aluminium de la culasse.**

Afin d'obtenir un bon étincellement, on doit décalaminer et régler les bougies aux intervalles indiqués dans le tableau d'entretien. Décalaminer les bougies à l'aide d'une petite brosse métallique ou d'un appareil de nettoyage spécial puis régler l'écartement des électrodes en se reportant au tableau suivant.

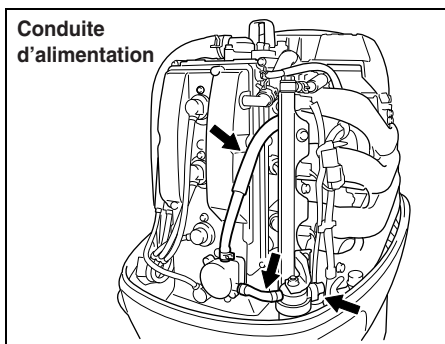
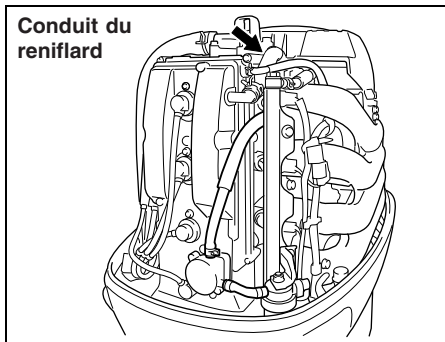
Écartement des électrodes des bougies	0,7 – 0,8 mm (0,028 – 0,031 in)
---------------------------------------	------------------------------------



Si l'électrode ou l'isolateur est endommagé ou en cas d'usure excessive, changer la bougie.

## RENIFLARD ET CONDUITE D'ALIMENTATION

Contrôler si le reniflard ou la conduite d'alimentation ne présentent pas de fuites ou ne sont pas craquelés, boursoufflés ou endommagés de toute autre manière. Si la conduite d'alimentation ou le reniflard présentent le moindre dommage ils doivent être remplacés. Si le remplacement s'avère nécessaire, consulter votre distributeur de moteurs hors-bord Suzuki.



### ▲ AVERTISSEMENT

Une fuite de carburant peut donner lieu à une explosion ou un incendie, entraînant un grave accident corporel.

En cas de signe de fuite, de craquelure ou de boursoufflement, faire remplacer la conduite d'alimentation par votre distributeur de moteurs hors-bord SUZUKI.



## HUILE DU MOTEUR

### ▲ AVERTISSEMENT

Ne jamais effectuer la vidange de l'**HUILE-MOTEUR** quand le moteur tourne, sous peine de risque de blessure grave.

Le moteur doit être arrêté avant de procéder à la vidange de l'**HUILE-MOTEUR**.

### AVIS

La pêche à la traîne prolongée peut réduire la durée de service de l'huile. Votre moteur risque d'être détérioré si la vidange de l'huile-moteur n'est pas effectuée plus souvent dans ce cas.

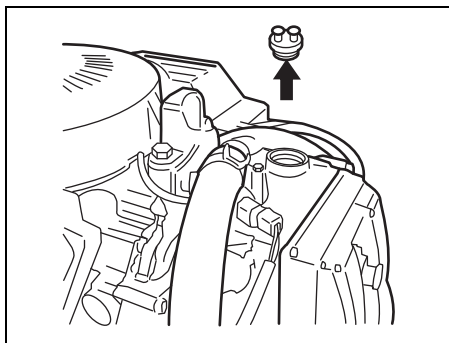
Vidanger l'huile-moteur plus souvent si votre moteur est utilisé pour la pêche à la traîne de longue durée.

### Changement de l'huile du moteur

Afin qu'elle puisse se vidanger complètement, l'huile doit être changée quand le moteur est chaud.

#### Pour changer l'huile du moteur:

1. Mettre le moteur en position verticale et enlever son capot.
2. Enlever le bouchon de remplissage d'huile.



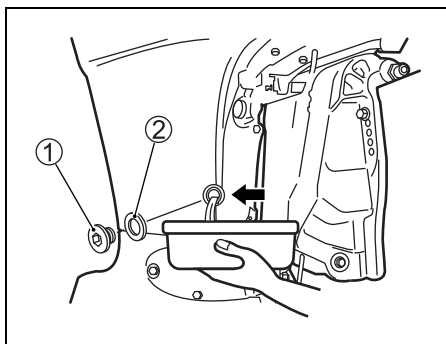
3. Mettre un récipient sous la vis de vidange d'huile du moteur.

### ▲ ATTENTION

La température de l'huile du moteur peut être suffisamment élevée pour provoquer une brûlure des doigts quand on enlève la vis de vidange.

Avant d'enlever cette vis, attendre qu'on puisse la toucher à mains nues.

4. Enlever la vis de vidange d'huile du moteur ① et le joint ②, puis laisser l'huile s'écouler dans le récipient.



5. Après la vidange, serrer la vis de vidange d'huile du moteur avec un joint neuf.

### AVIS

Un joint déjà utilisé risque de fuir, ce qui peut entraîner une détérioration du moteur.

Ne jamais réutiliser les joints. Veiller à toujours utiliser des joints neufs.

#### NOTE:

Il y a des joints de rechange dans la trousse à outils.

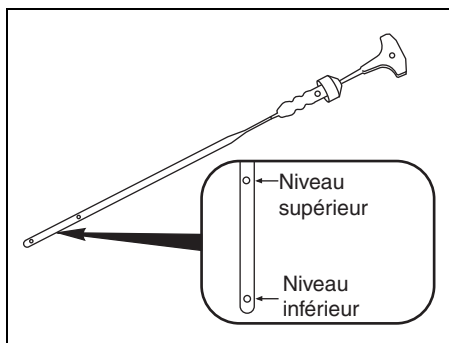
6. Remplir d'huile-moteur recommandée jusqu'au niveau haut.

Quantité d'huile: 5,5 L (5,8/4,8 US/Imp. qt)

Huile moteur: SAE (ou NMMA FC-W) 10W-40

Classement API (ou NMMA FC-W): SG, SH, SJ, SL, SM

7. Contrôler le niveau d'huile du moteur.



**NOTE:**

Pour éviter toute mesure incorrecte du niveau d'huile du moteur, contrôler ce niveau uniquement une fois que le moteur est refroidi.

8. Remonter le bouchon de remplissage d'huile.

**▲ AVERTISSEMENT**

L'huile-moteur est dangereuse pour les gens et les animaux. Le contact répété et prolongé avec de l'huile-moteur présente un risque de cancer de la peau. Même un contact de courte durée risque d'irriter la peau.

- Eloigner l'huile, neuve et usagée, des enfants et des animaux.
- Toujours porter une chemise à manches longues et des gants étanches avant de manipuler l'huile.
- Laver au savon la peau en cas de contact avec l'huile.
- Nettoyer tout vêtement ou chiffon qui a été exposé à l'huile.

**NOTE:**

Recycler ou mettre au rebut correctement l'huile-moteur usagée. Ne pas la jeter à la poubelle, la répandre sur le sol, la mettre à l'égout ou la jeter à l'eau.

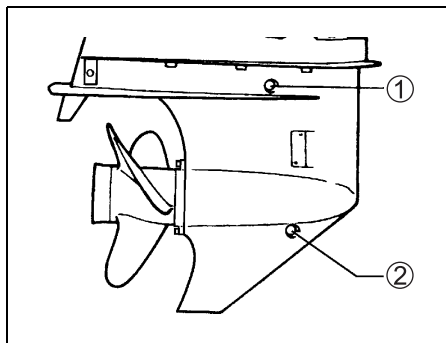
**HUILE DU CARTER D'ENGRENAGES**

Pour vérifier le niveau d'huile d'engrenage, mettre le moteur bien droit, déposer le bouchon de niveau d'huile ① et regarder dans le trou. Le niveau d'huile doit être au bord inférieur de ce trou. Si le niveau est bas, le compléter en ajoutant l'huile pour engrenages spécifiée. Ensuite, remonter et serrer le bouchon.

La durée de vie d'un moteur hors-bord dépend de la régularité de ses vidanges d'huile.

Pour changer l'huile du carter d'engrenages:

1. S'assurer que le moteur est en position verticale puis mettre un bidon sous le carter d'engrenages.
2. Enlever le bouchon de vidange d'huile du carter d'engrenages ②, puis enlever le bouchon de niveau d'huile du carter d'engrenages ①.



3. Une fois que toute l'huile est vidangée, injecter l'huile pour engrenages spécifiée par le trou de vidange du carter d'engrenages jusqu'à ce qu'elle commence à sortir par le trou de niveau du carter d'engrenages. Il faudra environ 1050 ml d'huile.
4. Enlever le bouchon de vidange d'huile du carter d'engrenages ②, puis enlever le bouchon de niveau d'huile du carter d'engrenages ①.

**NOTE:**

*Afin d'injecter suffisamment d'huile pour engrenages, contrôler le niveau d'huile 10 minutes après avoir procédé comme décrit à l'étape 4. Si le niveau d'huile est bas, verser de l'huile d'engrenage dans le trou de niveau d'huile d'engrenage ① jusqu'au niveau approprié.*

### ▲ AVERTISSEMENT

**L'huile pour engrenages est dangereuse pour les gens et les animaux. Le contact répété et prolongé avec de l'huile pour engrenages présente un risque de cancer de la peau. Même un contact de courte durée avec de l'huile usagée risque d'irriter la peau.**

- Eloigner l'huile, neuve et usagée, des enfants et des animaux.
- Toujours porter une chemise à manches longues et des gants étanches avant de manipuler l'huile.
- Laver au savon la peau en cas de contact avec l'huile.
- Nettoyer tout vêtement ou chiffon qui a été exposé à l'huile.

**NOTE:**

*Recycler ou mettre au rebut correctement l'huile pour engrenages usagée. Ne pas jeter l'huile avec les déchets ordinaires, sur le sol, à l'égout ou dans l'eau.*

### AVIS

**Si une ligne s'enroule autour de l'arbre d'hélice qui tourne, le joint d'étanchéité de l'arbre d'hélice risque d'être détérioré et peut laisser pénétrer l'eau dans le carter d'engrenage et provoquer des dégâts importants.**

**Si l'huile pour engrenage est de couleur laiteuse, elle est contaminée par de l'eau. Contacter immédiatement le concessionnaire de moteurs hors-bord agréé Suzuki pour conseil. Ne pas utiliser le moteur hors-bord tant que l'huile n'a pas été changée et la cause de la contamination déterminée.**

### FILTRE À CARBURANT BASSE PRESSION

Le filtre à carburant basse pression doit être changé de manière périodique par un concessionnaire marine Suzuki agréé. Changer le filtre à carburant basse pression toutes les 400 heures (2 ans).

### ▲ AVERTISSEMENT

**L'essence est un produit hautement inflammable et toxique. Elle peut provoquer des incendies et constituer un danger pour les hommes et les animaux domestiques.**

**Toujours prendre les précautions suivantes lors de l'entretien du filtre à carburant :**

- Couper le moteur avant de procéder au nettoyage du filtre à carburant.
- Attention à ne pas renverser de carburant. Le cas échéant, nettoyer immédiatement.
- Ne pas fumer et se tenir à l'écart de toute flamme vive et étincelle.

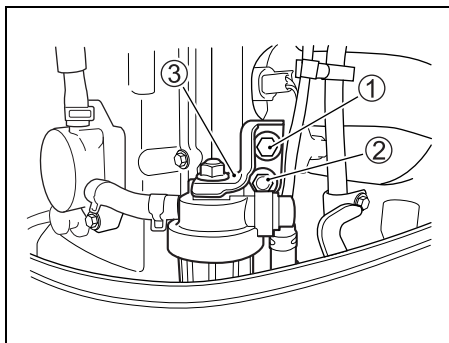
## ▲ AVERTISSEMENT

Le solvant de nettoyage est un produit toxique et irritant qui peut constituer un danger pour les hommes et les animaux domestiques.

Tenir les solvants hors de portée des enfants et des animaux domestiques. Une fois terminé, mettre les solvants au rebut conformément à la loi.

Ispezionare e pulire il filtro del carburante nel modo seguente:

1. Couper le moteur et le laisser refroidir.
2. S'assurer que le contacteur principal est sur la position OFF.
3. Déposer le boulon ① et l'écrou ② de fixation du support ③ du filtre à carburant.

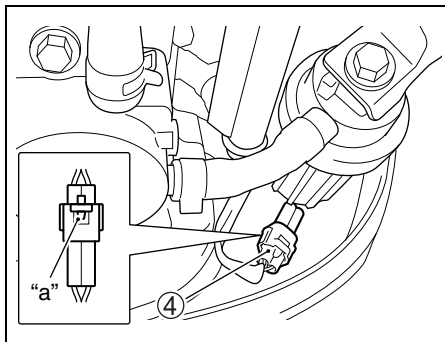


## AVIS

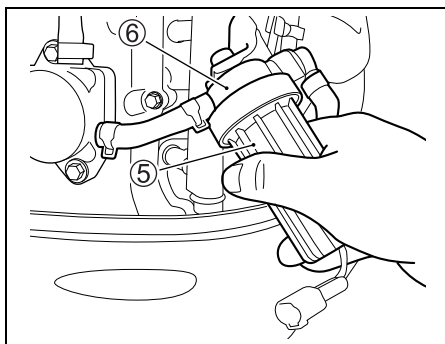
La coupelle de filtre mal serrée risque de détériorer le conducteur du capteur.

- Veiller à ne pas tordre le conducteur du capteur en déposant la coupelle de filtre.
- Déconnecter le connecteur du conducteur avant de déposer la coupelle de filtre.

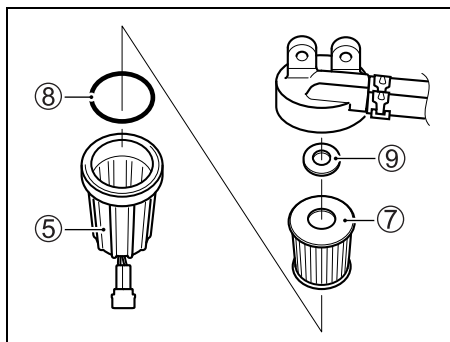
4. Appuyer sur la languette de blocage du connecteur, puis déconnecter le connecteur du conducteur de capteur d'eau ④.



5. Placer un chiffon sous le filtre avant la dépose pour recueillir le carburant.
6. Séparer la coupelle de filtre ⑤ du chapeau ⑥ en tournant la coupelle de filtre dans le sens contraire des aiguilles d'une montre.



7. Vidanger le carburant et l'eau dans la coupelle de filtre dans un récipient adéquat.
8. Retirer l'élément du filtre ⑦. Inspecter l'élément du filtre ⑦, le joint torique ⑧ et la bague d'étanchéité ⑨ pour détérioration. En cas de détérioration, les remplacer.



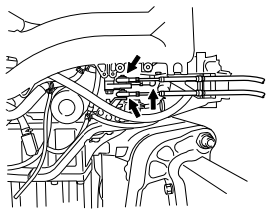
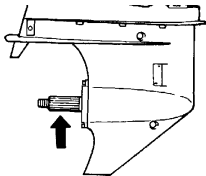
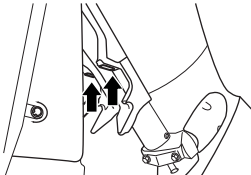
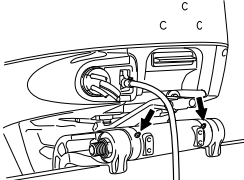
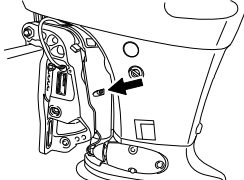
9. Nettoyer l'élément du filtre avec du solvant de nettoyage et le sécher.
10. Reposer la bague d'étanchéité et l'élément du filtre sur la position d'origine.
11. Vérifier que le joint torique est bien en place sur le dessus de la coupelle du filtre et revisser en place la coupelle du filtre.
12. Connecter le connecteur du conducteur du capteur d'eau ④.
13. Reposer le support du filtre à carburant par serrage du boulon et de l'écrou.
14. Riavviare il motore a controllare che non vi siano perdite di carburante intorno al filtro.

**NOTE:**

*En cas de présence d'eau dans la coupelle du filtre, déposer la coupelle et évacuer l'eau. Toujours mettre au rebut le carburant en excès correctement. Pour toute question, consulter le concessionnaire agréé Suzuki.*

**GRAISSAGE**

Un graissage correct est important pour un fonctionnement sûr et en douceur et pour une grande longévité de chaque pièce mécanique du moteur hors-bord. Le tableau suivant indique les points de graissage du moteur, ainsi que les lubrifiants à utiliser.

EMPLACEMENT	LUBRIFIANT
 <p data-bbox="669 308 770 328">Timonerie</p>	
 <p data-bbox="650 544 788 564">Arbre d'hélice</p>	<p data-bbox="871 437 972 491">Graisse hydrofuge</p>
 <p data-bbox="624 788 815 836">Arrêt de tige de relevage (DF140A)</p>	
 <p data-bbox="636 1054 804 1075">Support pivotant</p>	<p data-bbox="871 1011 983 1145">Graisse hydrofuge (Utiliser un pistolet graisseur)</p>
 <p data-bbox="617 1289 822 1310">Support de direction</p>	

**NOTE:**

*Avant d'enduire le téton graisseur du support du gouvernail, verrouiller le moteur en position entièrement relevé.*

Le concessionnaire de moteurs hors-bord agréé Suzuki peut également donner des conseils supplémentaires compte tenu des conditions climatiques locales ou des conditions particulières d'utilisation.

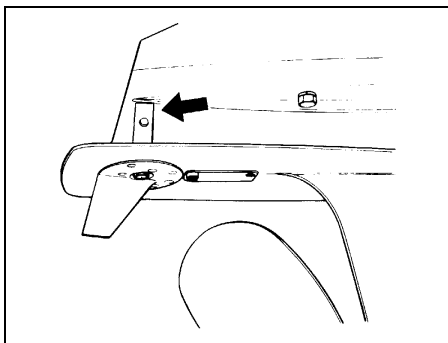
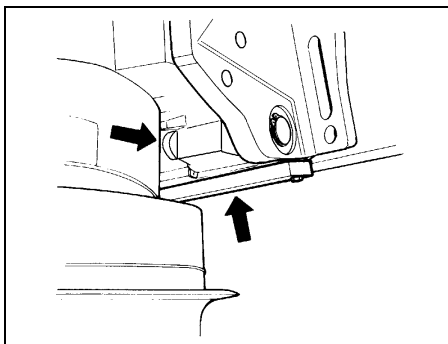
Lui demander conseil.

## PROTECTION CONTRE LA CORROSION

### ANODES

Le moteur est protégé contre la corrosion extérieure par des anodes. Ces anodes commandent l'électrolyse et empêchent la corrosion. Ces anodes se corrodent à la place des pièces qu'elles protègent. On doit contrôler périodiquement chacune d'elles et la remplacer quand les 2/3 du métal ont disparu par corrosion.

Dans certaines régions du pays, l'eau peut s'avérer très dure pour les métaux. Des mesures anti-rouille supplémentaires peuvent apporter une protection renforcée dans ces conditions. Pour le détail, voir le concessionnaire de moteurs hors-bord agréé Suzuki.



## AVIS

Si les anodes ne sont pas entretenues correctement, la surface en aluminium sous l'eau (comme le bloc inférieur, par exemple) risque d'être détériorée par la corrosion galvanique.

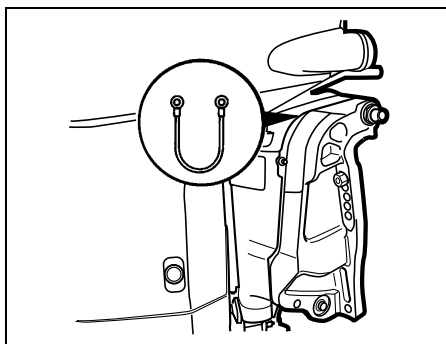
- Contrôler périodiquement les anodes pour s'assurer qu'elles ne sont pas détachées.
- Ne pas peindre les anodes, sous peine de les rendre inefficaces.
- Nettoyer périodiquement les anodes avec une brosse métallique pour enlever tout encrassement qui pourrait diminuer leurs propriétés protectrices.

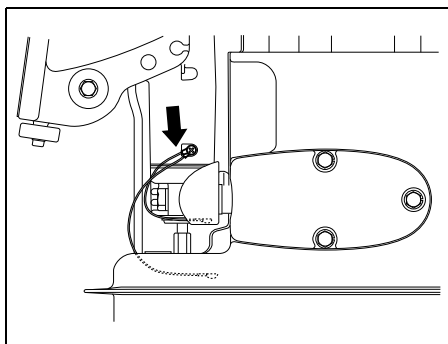
### NOTE:

Pour le contrôle et le remplacement des anodes internes fixées au bloc moteur, Voir un concessionnaire Suzuki Marine agréé.

### FILS DE MASSE

Les fils de masse sont utilisés pour relier électriquement les organes du moteur afin qu'ils se trouvent sur un circuit de masse commun. Ceci les protège contre l'électrolyse par l'anode. Examiner périodiquement ces fils et leurs bornes pour s'assurer qu'ils ne sont pas endommagés.





## BATTERIE

Avec les batteries sans entretien, procéder conformément aux instructions fournies avec la batterie et vérifier le bon état par contrôle à travers le regard à cet effet.

Si la batterie n'est pas du type sans entretien, vérifier le niveau du liquide de batterie toutes les 100 heures de marche ou tous les 12 mois. Le niveau de l'électrolyte doit toujours être maintenu entre les repères de niveau MAX et MIN.

Si le niveau est au-dessous du repère de niveau MIN, le compléter jusqu'au repère de niveau MAX en utilisant UNIQUEMENT DE L'EAU DISTILLÉE.

## ▲ AVERTISSEMENT

**Le liquide de batterie est nocif et corrosif et peut causer des blessures graves.**

**Eviter tout contact avec les yeux, la peau, les vêtements et les surfaces peintes. En cas de contact avec le liquide de batterie, rincer immédiatement avec beaucoup d'eau. En cas de contact avec les yeux ou la peau, consulter un docteur immédiatement.**

## ▲ AVERTISSEMENT

**Si vous ne prenez pas les précautions nécessaires pendant le contrôle ou l'entretien de la batterie, vous risquez de provoquer un court-circuit qui peut provoquer une explosion, un incendie ou la détérioration du circuit.**

**Déconnecter le câble négatif (noir) avant le contrôle ou l'entretien de la batterie. Veiller à ne pas mettre en contact un outil métallique ou autre objet métallique la borne positive de la batterie et le moteur en même temps.**

## ▲ AVERTISSEMENT

**Les cosses, bornes et autres accessoires de la batterie contiennent du plomb et des éléments en plomb, qui est un produit dangereux.**

**Se laver les mains après avoir touché ces accessoires.**

## AVIS

**Si vous ajoutez de l'acide sulfurique dilué dans la batterie après l'entretien initial, la batterie sera endommagée.**

**NE JAMAIS ajouter d'acide sulfurique dilué dans la batterie après l'entretien initial. Suivre les instructions du fabricant de la batterie pour les procédures de maintenance spécifiques.**

## FILTRE À HUILE MOTEUR

Faire changer périodiquement le filtre à huile moteur par un Concessionnaire Marine Suzuki agréé.

Changer le filtre à huile par une pièce neuve après les 20 premières heures (1 mois) d'utilisation.

Changer ensuite le filtre à huile par une pièce neuve toutes les 200 heures (12 mois).

## RINÇAGE DES PASSAGES D'EAU

Après fonctionnement dans de l'eau boueuse, saumâtre ou salée, vous devez rincer les conduites d'eau et la surface du moteur avec de l'eau propre. Si vous ne rincez pas les conduites d'eau, le sel peut corroder le moteur et réduire sa durée de vie. Rincer les conduites d'eau comme suit:

### MOTEUR EN MARCHÉ

#### – En position verticale –

Suzuki conseille de rincer le passage d'eau de cette façon.

Pour rincer les conduits d'eau, on doit se procurer un accessoire de rinçage disponible dans le commerce.

### AVERTISSEMENT

**Les gaz d'échappement contiennent du monoxyde de carbone, un gaz incolore et inodore difficile à détecter. Ce gaz peut entraîner la mort ou des blessures graves.**

**Ne jamais lancer le moteur ou le faire tourner dans un endroit clos ou dans un endroit non ou faiblement aéré.**



## ▲ AVERTISSEMENT

Le manque de précautions appropriées pour purger l'eau dans les passage d'eau peut être dangereux.

Pour purger les passages d'eau, toujours prendre les précautions suivantes:

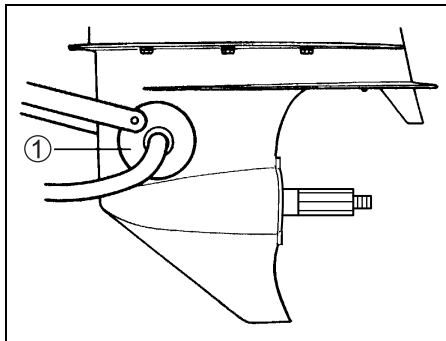
- S'assurer que le moteur est au POINT MORT. Si le moteur est en prise, l'arbre d'hélice peut tourner et causer de graves blessures.
- S'assurer que le moteur est bien fixé sur un support stable ou le bateau, et rester à proximité jusqu'à la fin de la purge.
- Eloigner les enfants et les animaux et ne pas s'approcher des pièces mobiles.

## AVIS

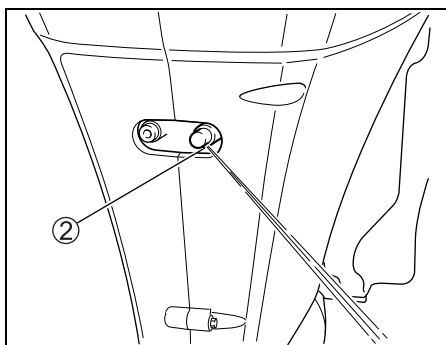
Le moteur peut être gravement endommagé en moins de 15 secondes si le moteur est démarré sans eau dans le système de refroidissement.

Ne jamais démarrer le moteur sans avoir au préalable alimenté en eau le système de refroidissement.

1. Monter l'accessoire de rinçage de manière ① telle que les trous d'admission d'eau soient couverts par les coupelles en caoutchouc.
2. Connecter un tuyau d'arrosage à l'accessoire de rinçage et ouvrir le robinet pour obtenir un débit tel qu'il sort beaucoup d'eau par la périphérie des coupelles en caoutchouc de l'accessoire de rinçage.



3. Placer la poignée de télécommande en position de "POINT MORT" (NEUTRAL) après avoir déposé l'hélice et lancer le moteur. Dès que le moteur démarre, de l'eau doit gicler par le trou d'eau pilote ② pour signaler le bon fonctionnement de la pompe à eau. Si aucun jet d'eau n'est constaté, voir immédiatement un concessionnaire.

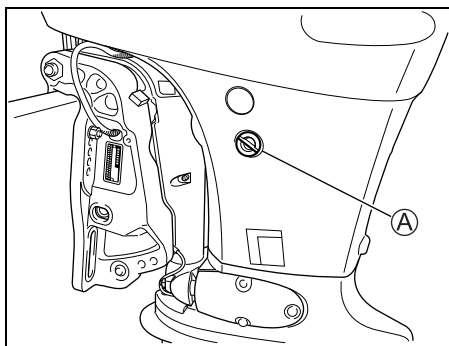


4. Pendant le rinçage, le seul régime du moteur permis est le régime de ralenti. Si nécessaire, réajuster le débit de l'eau de sorte que les coupelles en caoutchouc baignent dans une grande quantité d'eau.
5. Laisser circuler l'eau pendant quelques minutes.
6. Arrêter le moteur puis fermer le robinet d'eau.
7. Enlever l'accessoire de rinçage du trou d'admission d'eau.
8. Nettoyer la surface du moteur et appliquer une couche de cire sur la finition du moteur.

3. Ouvrir l'arrivée d'eau de manière à assurer un débit d'eau adéquat. Rincer le moteur pendant cinq minutes environ.
4. Fermer l'arrivée d'eau.
5. Enlever le tuyau et le connecteur (si utilisé), puis remettre en place le bouchon sur l'orifice de rinçage.
6. Laisser le moteur en position vertical jusqu'à ce qu'il soit complètement sec.

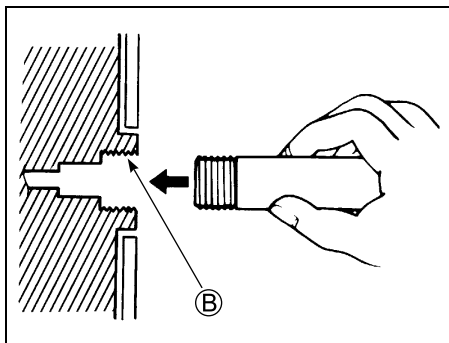
### MOTEUR ARRÊTÉ – En position verticale –

1. Enlever le bouchon (A) de l'orifice de rinçage.



2. Mettre en place le tuyau d'arrosage en utilisant un raccord de tuyau adapté au filetage de l'orifice de rinçage (B).

Filetage (B) : 0,75 – 11,5 NHR (Filetage de raccord de tuyau aux normes américaines pour applications tuyau d'arrosage.)



### MOTEUR ARRÊTÉ

#### – En position relevée maximum –

1. Lever le moteur sur la position relevée maximum.
2. Suivre les instructions "MOTEUR ARRÊTÉ- En position verticale".  
**NE PAS FAIRE TOURNER LE MOTEUR EN POSITION RELEVÉE MAXIMUM.**
3. Mettre le moteur en position verticale jusqu'à ce qu'il soit complètement sec.

# MOTEUR IMMERGÉ

Si le moteur s'est retrouvé accidentellement immergé dans l'eau, le soumettre à des réparations spéciales le plus rapidement possible pour éviter les risques de corrosion. Si possible, confier cette opération à un concessionnaire marine qualifié. Si ceci n'est pas possible dans un délai rapproché, prendre les mesures suivantes. Si votre moteur est accidentellement immergé, procéder comme suit.

1. Retirer le moteur de l'eau le plus tôt possible.
2. Déposer le capot du moteur et le laver immédiatement à l'eau douce pour enlever complètement toute trace de sel, boue et algues.
3. Enlever les bougies. Vidanger l'eau des cylindres par les trous de bougie en faisant tourner manuellement le volant à plusieurs reprises.
4. Contrôler s'il n'y a pas d'eau dans l'huile du moteur. Si de l'eau est présente, vidanger l'huile en enlevant le bouchon prévu à cet effet. Après la vidange, remonter ce bouchon.
5. Vidanger la canalisation de carburant et tous les filtres.

## AVERTISSEMENT

**L'essence est extrêmement inflammable et toxique. L'essence peut provoquer un incendie et est dangereuse pour les personnes et les animaux.**

**Tenir l'essence à l'écart de toute flamme et étincelle. Mettre l'essence non désirée au rebut convenablement.**

6. Verser une cuiller à soupe d'huile moteur dans chaque trou de bougie. Revêtir les pièces internes du moteur d'huile en faisant tourner manuellement le volant moteur de plusieurs tours. Ne pas utiliser le démarreur électrique sous peine de déformation des tiges de raccordement.

## AVIS

**Le moteur risque d'être gravement endommagé si vous lancez le moteur et ressentez une friction ou une résistance.**

**Si vous rencontrez une friction ou une résistance pendant le lancement du moteur, arrêter le moteur immédiatement et ne pas tenter de le redémarrer tant que problème n'a pas été déterminé et corrigé.**

7. Faire vérifier le moteur dès que possible par un concessionnaire marine Suzuki agréé.

## AVIS

**Si le carburant est contaminé par l'eau, le moteur risque d'être détérioré.**

**Si le dispositif de remplissage du réservoir de carburant et l'évent ont été immergés, contrôler le circuit d'alimentation en carburant pour s'assurer qu'il n'est pas contaminé par l'eau.**

# PROCÉDURE DE REMISAGE

## REMISAGE DU MOTEUR

Quand on remise le moteur pour une longue période (par exemple à la fin de la saison nautique), il est recommandé de l'apporter chez son distributeur de moteurs hors-bord Suzuki. Toutefois, si l'on désire le préparer soi-même pour le remisage, procéder comme suit:

1. Changer l'huile du carter d'engrenages comme décrit dans la section HUILE POUR ENGRENAGES.
2. Changer l'huile du moteur comme décrit dans la partie HUILE DU MOTEUR.
3. Verser un stabilisateur de carburant de qualité supérieure dans le réservoir en procédant conformément aux instructions données sur le bidon du stabilisateur.
4. Rincer soigneusement les passages d'eau du moteur. Voir en section RINÇAGE DES PASSAGES D'EAU (Moteur en marche).
5. Réajuster le débit de l'eau et faire tourner le moteur à environ 1500 tr/min au point mort pendant cinq minutes pour distribuer le carburant stabilisé dans tout le moteur.
6. Arrêter le moteur puis fermer le robinet d'eau. Enlever l'accessoire de rinçage.
7. Graisser toutes les pièces mobiles. Se reporter à la section GRAISSAGE. Pulvériser un agent antirouille sur toute la partie entraînement (éviter les produits à huile décalage).
8. Appliquer une couche de cire pour automobiles sur la partie extérieure du moteur. Si la peinture est endommagée, faire les retouches nécessaires avant d'appliquer la cire.
9. Remiser le moteur en position verticale dans un endroit sec et bien aéré. Choisir un endroit à température stabilisée pour éviter les risques de corrosion par condensation. Ne pas magasiner près d'un four, d'un radiateur ou autre.

## ▲ AVERTISSEMENT

**Quand le moteur tourne, les pièces tournantes du moteur risquent de causer des blessures graves.**

**Quand le moteur est en marche, tenir ses mains, cheveux, vêtements, etc. à l'écart.**

## AVIS

**Le moteur peut être gravement endommagé en moins de 15 secondes si le moteur est démarré sans eau dans le système de refroidissement.**

**Ne jamais démarrer le moteur sans avoir au préalable alimenté en eau le système de refroidissement.**

## REMISAGE DE LA BATTERIE

1. Quand le moteur hors-bord doit ne pas être utilisé pendant un mois ou plus, enlever la batterie et la ranger dans un endroit frais et sombre. Ne pas poser les batteries sur du béton ou de la terre sous peine de les décharger encore plus rapidement.
2. Laver le boîtier et les plots à l'eau douce uniquement et les sécher à l'aide d'un chiffon propre.
3. Recharger complètement la batterie. Si la batterie doit être remise pendant une longue période, contrôler la densité de l'électrolyte au moins une fois par mois et recharger la batterie quand la charge est faible.

## **▲ AVERTISSEMENT**

**Le non-respect des précautions appropriées pour recharger la batterie peut être dangereux. Les batteries produisent des vapeurs explosives qui risquent de s'enflammer. Le liquide de batterie est nocif et corrosif et peut entraîner des blessures graves.**

- **Ne pas fumer et éloigner la batterie de toute source de flamme et d'étincelle.**
- **Pour éviter toute formation d'étincelle pendant la recharge de la batterie, connecter les câbles du chargeur de la batterie aux bornes adéquates avant de mettre le chargeur sous tension.**
- **Manipuler la batterie avec beaucoup de soin et éviter tout contact du liquide de batterie avec la peau.**
- **Porter des vêtements et accessoires de protection adéquats (lunettes, gants, etc.)**

## **APRÈS LE REMISAGE**

Quand vous voulez utiliser votre moteur après un remisage, procéder comme suit pour le remettre en état de marche:

1. Nettoyer les bougies soigneusement. Les remplacer si nécessaire.
2. Contrôler le niveau d'huile du carter d'engrenages. Si nécessaire, compléter ce niveau en procédant comme décrit dans la section HUILE POUR ENGRENAGES.
3. Graisser toutes les pièces mobiles comme décrit dans la section GRAISSAGE.
4. Contrôler le niveau d'huile du moteur.
5. Nettoyer le moteur et cirer les surfaces peintes.
6. Recharger la batterie avant de la mettre en place.

## **INFORMATIONS GÉNÉRALES**

### **GARANTIE (ÉTATS-UNIS)**

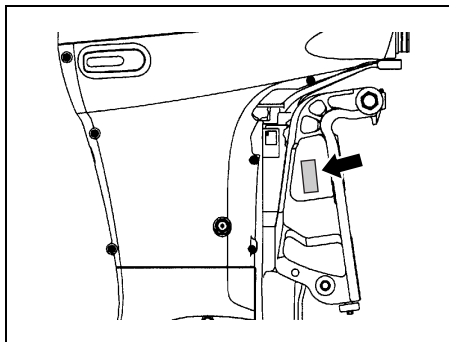
Le garantie s'appliquant à ce moteur hors-bord est spécifiée par un livret séparé intitulé Garantie Limitée remis à l'achat du moteur. Lisez attentivement ce livret pour connaître vos droits et vos responsabilités.

### **EMPLACEMENT DES NUMÉROS D'IDENTIFICATION**

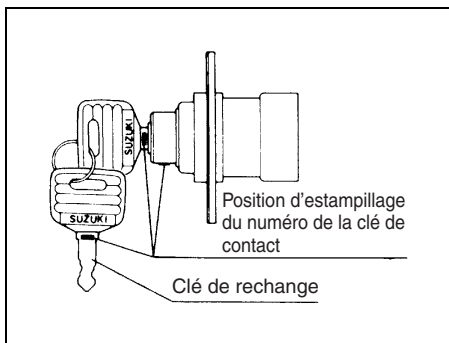
Les numéros de modèle et d'identification de votre moteur hors-bord sont estampés sur une plaque fixée au support. Noter ces chiffres ci-dessous pour future référence. Il est important de connaître ces numéros quand on effectue une commande de pièces ou si votre moteur est volé.

Numéro de modèle:

Numéro d'identification:



Numéro de la clé de contact:



## INFORMATIONS CONCERNANT LA RÉGULATION DES ÉMISSIONS

### AVIS

- CE MOTEUR FONCTIONNE AVEC DE L'ESSENCE SANS PLOMB D'INDICE D'OCTANE 87 (METHODE (R+M)/2) OU PLUS.
- SYSTÈME DE RÉGULATION DES ÉMISSIONS : ECM, MFI, HO2S

## DÉPANNAGE

Ce guide de dépannage est prévu pour vous aider à trouver la cause des problèmes courants.

### AVIS

La résolution incorrecte d'un problème peut endommager votre moteur hors-bord. Des réparations ou réglages incorrects peuvent entraîner un endommagement du moteur hors-bord. Un tel endommagement risque de ne pas être couvert par la garantie.

Si l'on n'est pas sûr de la mesure corrective à prendre, consulter un concessionnaire accrédité Suzuki au sujet du problème rencontré.

### Le démarreur ne fonctionne pas:

- Le levier d'inversion n'est pas au POINT MORT.
- Le fusible est fondu.
- La plaque du coupe-circuit de sécurité n'est pas en place.

### Le moteur ne démarre pas (démarrage difficile):

- Le réservoir de carburant est vide.
- Le tuyau de carburant n'est pas correctement connecté au moteur.
- La conduite de carburant est pliée ou pincée.
- La bougie est encrassée.

### Le moteur tourne irrégulièrement au ralenti ou cale:

- La conduite de carburant est pliée ou pincée.
- La bougie est encrassée.

### La vitesse du moteur n'augmente pas (Le moteur manque de puissance):

- Le moteur est surchargé.
- Le système de signalisation/diagnostic est activé.
- L'hélice est endommagée.
- L'hélice n'est pas adaptée au bateau.

### Le moteur vibre excessivement:

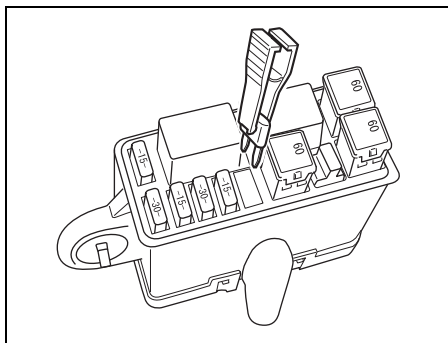
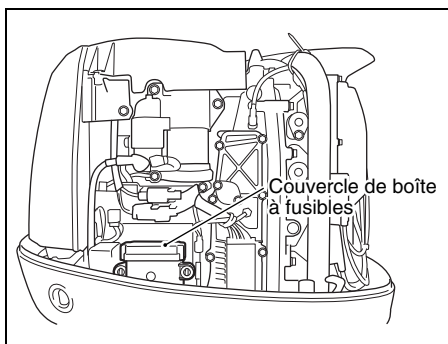
- Les boulons de fixation du moteur ou les vis de presse sont desserrés.
- Un corps étranger (algues ou autres) est coincé dans l'hélice.
- L'hélice est endommagée.

### Le moteur surchauffe:

- L'admission d'eau de refroidissement est obstruée.
- Le moteur est surchargé.
- L'hélice n'est pas adaptée au bateau.

## FUSIBLE

1. Mettre la clé de contact en position "off".
2. Déposer le capot du moteur.
3. Déposer le couvercle de la boîte à fusibles et sortir le fusible.

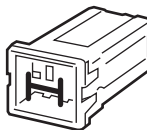


### NOTE:

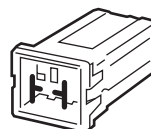
Pour enlever et remettre un fusible dans la boîte, utiliser l'arrache-fusible se trouvant à l'intérieur du couvercle de la boîte à fusibles.

4. Vérifier le fusible et le changer par une pièce neuve si nécessaire.

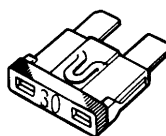
Fusible principal (60 A)



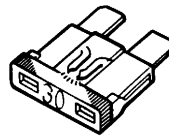
Fusible normal



Fusible fondu



Fusible normal



Fusible fondu

### NOTE:

Si un fusible fond, essayer d'en déterminer la raison et réparer.

Si le problème n'est pas résolu, le fusible risque de fondre de nouveau.

## ▲ AVERTISSEMENT

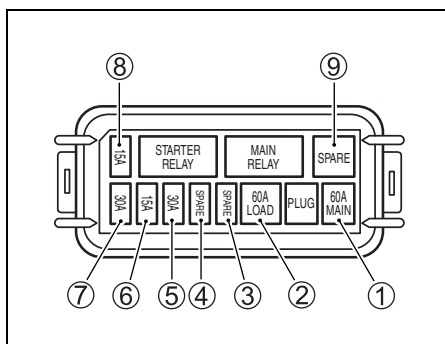
Si vous remplacez un fusible sauté par un fusible d'ampérage différent ou par un morceau ou fil d'aluminium à la place du fusible, risque de détérioration du circuit électrique et d'incendie.

Toujours remplacer un fusible sauté par un fusible de type et ampérage identiques.

## AVIS

Si un fusible neuf qui vient d'être remplacé saute peu après son installation, il existe probablement un problème sérieux dans le circuit électrique.

Consulter le concessionnaire de moteurs hors-bord SUZUKI.



- ① Fusible principal: 60 A
- ② Fusible de charge: 60A
- ③ Fusible de recharge: 30 A
- ④ Fusible de recharge: 15 A
- ⑤ Fusible de relais de démarreur: 30 A
- ⑥ Fusible de connecteur de PTT: 15 A
- ⑦ Bobine d'allumage/Injecteur/  
Module de commande du moteur/Fusible IAC:  
30 A
- ⑧ Fusible de pompe à carburant haute pression:  
15 A
- ⑨ Fusible de recharge: 60 A

## CARACTÉRISTIQUES

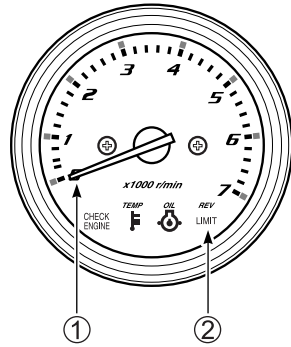
Élément	DF100A	DF115A	DF140A
Type de moteur	4 temps		
Nombre de cylindres	4		
Alésage et course	86,0 × 88,0 mm (3,39 × 3,46 in.)		
Cylindrée	2044 cm <sup>3</sup> (124,7 cu. in.)		
Puissance	73,6 kW (100 PS)	84,6 kW (115 PS)	103,0 kW (140 PS)
Plage de fonctionnement sous accélération maximale	5000 – 6000 tr/min. (min <sup>-1</sup> )		5600 – 6200 tr/min. (min <sup>-1</sup> )
Régime de ralenti (au point mort)	700 ± 50 tr/min. (min <sup>-1</sup> )		
Système d'allumage	Entièrement transistorisé (système d'allumage)		
Graissage du moteur	Lubrification sous pression par pompe trochoïdale		
Capacité d'huile du moteur	5,5 L (5,8/4,8 US/Imp. qt)		

Puissance nominale calculée conformément à la méthode NMMA.



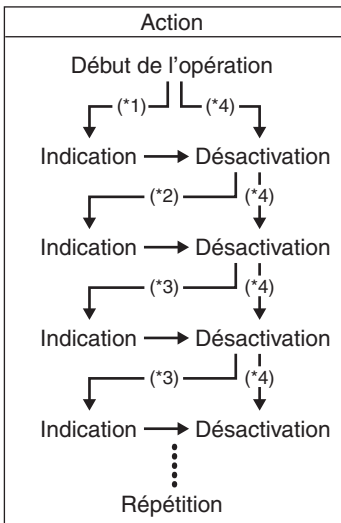
# TABLEAU D'INDICATION DU NOMBRE TOTAL D'HEURES DE SERVICE

Nombre total d'heures de service	MONITEUR-TACHYMETRE	
	Indication de l'aiguille ①	Lampe REV-LIMIT ② clignotante*
0h-(49h)	Non	Non
50h-	500rpm	Non
60h-	600rpm	Non
:	:	:
:	:	:
540h-	5400rpm	Non
550h-	500rpm	1 fois
560h-	600rpm	1 fois
:	:	:
:	:	:
1040h-	5400rpm	1 fois
1050h-	500rpm	2 fois
:	:	:
:	:	:
1540h-	5400rpm	2 fois
1550h-	500rpm	3 fois
:	:	:
:	:	:
2030h-	5300rpm	3 fois
2040 heures ou plus	5400rpm	3 fois



\*: Un clignotement correspond à 500 heures.

## PRINCIPE DU SYSTÈME DE RAPPEL DE VIDANGE D'HUILE



\*1: 20 premières heures de service

\*2: 80 heures de service

\*3: 100 heures de service

\*4: En cas de désactivation du système avant son déclenchement.

**NOTE:**

Ce système sera activé pour 2100 heures de service maximum.

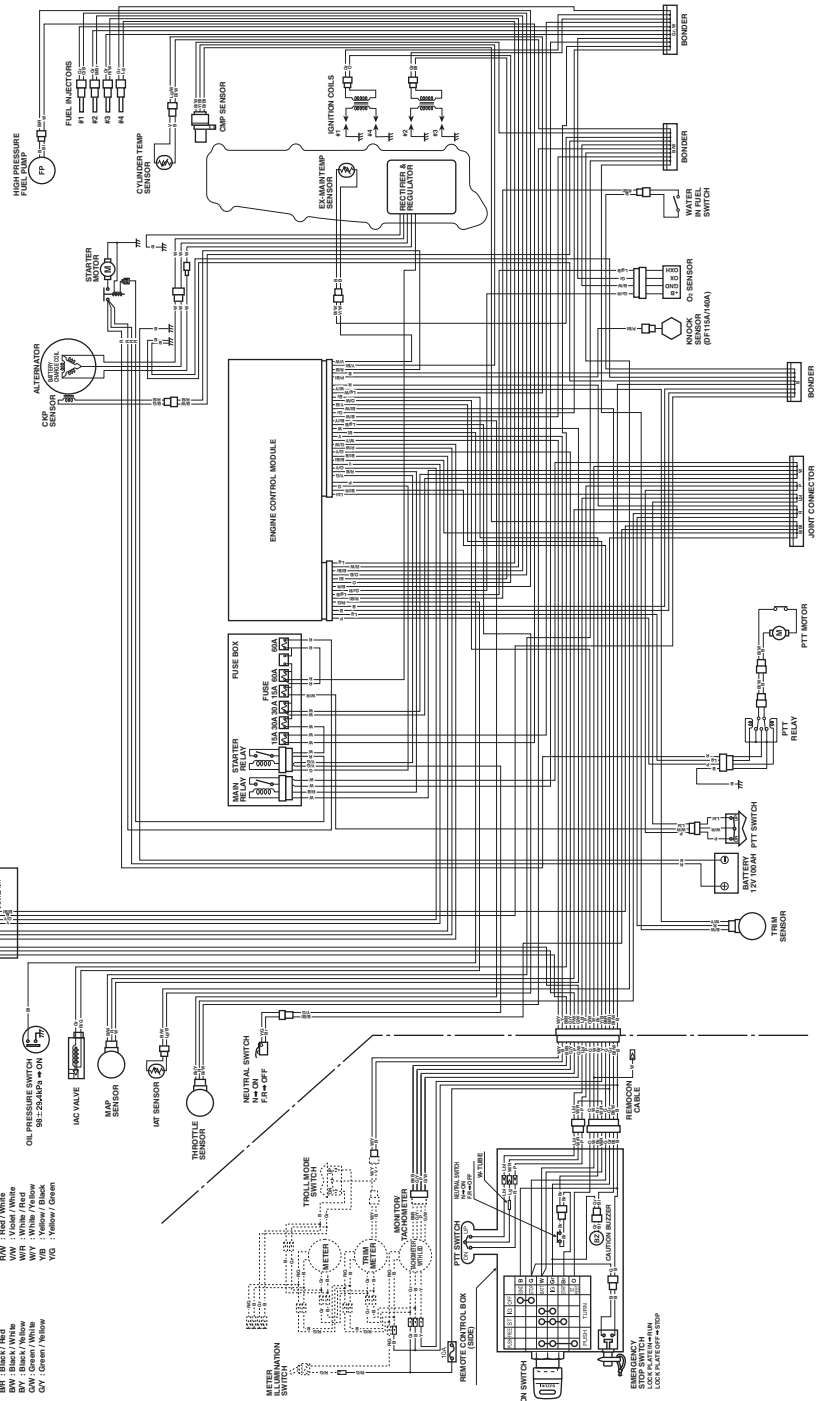
# **WIRING DIAGRAM SCHEMA DE CABLAGE**



# WIRING DIAGRAM

- WIRE COLOR**
- B : Black
  - BK : Black
  - BR : Brown
  - BU : Blue
  - BY : Blue/Yellow
  - CG : Green
  - DR : Dark green
  - GR : Green
  - GY : Green/Yellow
  - LG : Light green
  - LI : Light blue
  - OR : Orange
  - PK : Pink
  - RD : Red
  - RY : Red/Yellow
  - TR : Tan
  - VL : Violet
  - W : White
  - WB : Black/White
  - WY : White/Yellow
  - Y : Yellow
  - YB : Yellow/Black
  - YG : Green/Yellow
  - YV : Yellow/Violet

- DIGITAL GAUGE DIAGRAM (OPTION)**
- CLP : CLP
  - CON : CON
  - COM : COMM. CONNECTOR
  - CONN : CONNECTOR
  - GA : GAUGE
  - GA2 : GAUGE
  - GA3 : GAUGE
  - GA4 : GAUGE
  - GA5 : GAUGE
  - GA6 : GAUGE
  - GA7 : GAUGE
  - GA8 : GAUGE
  - GA9 : GAUGE
  - GA10 : GAUGE
  - GA11 : GAUGE
  - GA12 : GAUGE
  - GA13 : GAUGE
  - GA14 : GAUGE
  - GA15 : GAUGE
  - GA16 : GAUGE
  - GA17 : GAUGE
  - GA18 : GAUGE
  - GA19 : GAUGE
  - GA20 : GAUGE
  - GA21 : GAUGE
  - GA22 : GAUGE
  - GA23 : GAUGE
  - GA24 : GAUGE
  - GA25 : GAUGE
  - GA26 : GAUGE
  - GA27 : GAUGE
  - GA28 : GAUGE
  - GA29 : GAUGE
  - GA30 : GAUGE
  - GA31 : GAUGE
  - GA32 : GAUGE
  - GA33 : GAUGE
  - GA34 : GAUGE
  - GA35 : GAUGE
  - GA36 : GAUGE
  - GA37 : GAUGE
  - GA38 : GAUGE
  - GA39 : GAUGE
  - GA40 : GAUGE
  - GA41 : GAUGE
  - GA42 : GAUGE
  - GA43 : GAUGE
  - GA44 : GAUGE
  - GA45 : GAUGE
  - GA46 : GAUGE
  - GA47 : GAUGE
  - GA48 : GAUGE
  - GA49 : GAUGE
  - GA50 : GAUGE
  - GA51 : GAUGE
  - GA52 : GAUGE
  - GA53 : GAUGE
  - GA54 : GAUGE
  - GA55 : GAUGE
  - GA56 : GAUGE
  - GA57 : GAUGE
  - GA58 : GAUGE
  - GA59 : GAUGE
  - GA60 : GAUGE
  - GA61 : GAUGE
  - GA62 : GAUGE
  - GA63 : GAUGE
  - GA64 : GAUGE
  - GA65 : GAUGE
  - GA66 : GAUGE
  - GA67 : GAUGE
  - GA68 : GAUGE
  - GA69 : GAUGE
  - GA70 : GAUGE
  - GA71 : GAUGE
  - GA72 : GAUGE
  - GA73 : GAUGE
  - GA74 : GAUGE
  - GA75 : GAUGE
  - GA76 : GAUGE
  - GA77 : GAUGE
  - GA78 : GAUGE
  - GA79 : GAUGE
  - GA80 : GAUGE
  - GA81 : GAUGE
  - GA82 : GAUGE
  - GA83 : GAUGE
  - GA84 : GAUGE
  - GA85 : GAUGE
  - GA86 : GAUGE
  - GA87 : GAUGE
  - GA88 : GAUGE
  - GA89 : GAUGE
  - GA90 : GAUGE
  - GA91 : GAUGE
  - GA92 : GAUGE
  - GA93 : GAUGE
  - GA94 : GAUGE
  - GA95 : GAUGE
  - GA96 : GAUGE
  - GA97 : GAUGE
  - GA98 : GAUGE
  - GA99 : GAUGE
  - GA100 : GAUGE



IGNITION SWITCH  
 REMOTE CONTROL LOCK (RCL)  
 TROLL MODE SWITCH  
 MONITOR  
 CAUTION MAINTENANCE  
 STOP SWITCH  
 LOCK KEY (LOCK/UNLOCK)

Prepared by

**SUZUKI MOTOR CORPORATION**

Outboard Motor Engineering Department

July, 2012

Part No. 99011-90J30-03B

Printed in Japan

© COPYRIGHT SUZUKI MOTOR CORPORATION 2012



**SUZUKI MOTOR CORPORATION**  
300 TAKATSUKA, MINAMI, HAMAMATSU, JAPAN

Printed in Japan